



**Wet-Abrasive-Blasting-System**

„ List of Spare Parts “<sup>141200</sup>  
torboLOC 080 and torboLOC 120  
1/2001 english



## Contents

<b>List of Spare Parts torbo LOC080 / LOC120</b> .....	<b>5</b>
0.00.00 torboLOC 080 and LOC120 .....	5
1.00.00 Sieve top .....	6
2.00.00 Vessel (Tank).....	7
2.01.00 Overflow.....	8
2.02.00 Abrasive outlet 99.....	9
2.03.00 Water feeding pipe 99.....	9
2.04.00 Vessel sealing 99.....	11
2.05.00 Internal water 99.....	12
4.00.00 Water tank.....	13
4.00.00 Control cabinet.....	14
4.01.00 Compressed air-regulators 01 .....	16
4.02.00 Dosing valves .....	16
4.03.00 Powerbox LOC01 .....	18
4.04.00 Water filter LOC 01 .....	20
4.05.00 Compressed air-dispatchers LOC 01 .....	20
4.06.00 Water connection LOC 01 .....	22
4.07.00 Compressed air connection LOC 01 .....	22
4.08.00 Control of Piston pump (electrical and pneumatical).....	24
4.09.00 Piston pump.....	26
4.10.00 Control, Switching unit D8099 .....	28
4.11.00 Switching unit D8099 .....	30
4.12.00 Switching unit S5099 .....	32
4.13.00 Blast hose connection LOC 01 .....	34
4.08.00 Switching unit QS8099 .....	36
5.00.00 Standard Equipment .....	38
5.01.00 Remote control FB S99 .....	40
5.02.00 Remote control SL00 .....	42

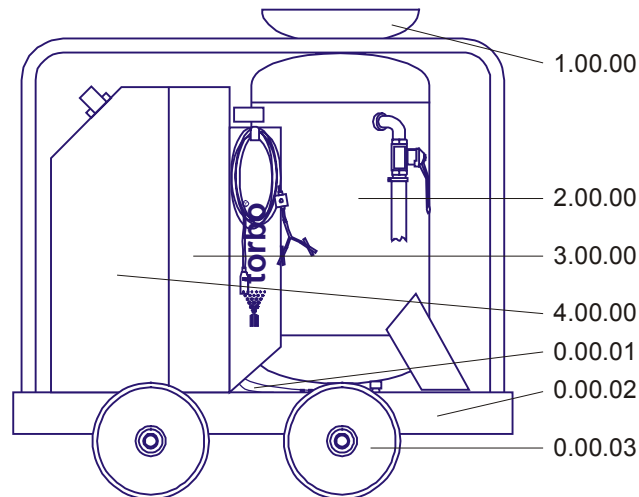


## List of Spare Parts



Listed articles with a denomination which is moved to the right side, are components of the respective articles mentioned before!

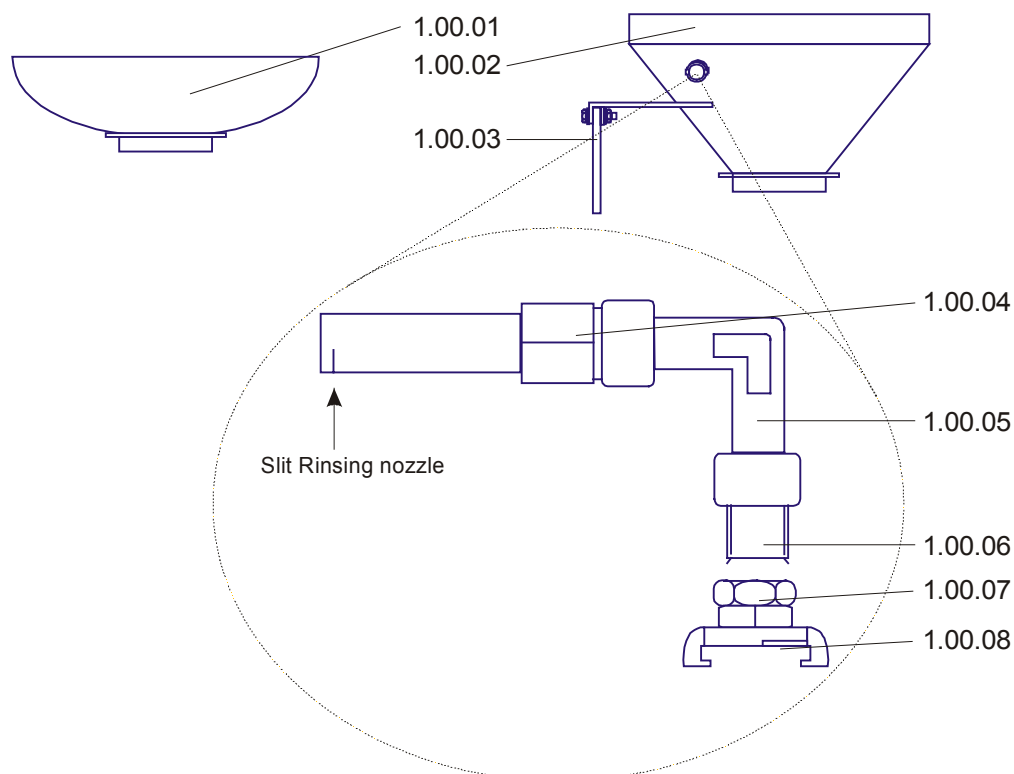
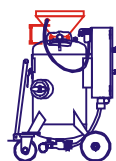
### 0.00.00 torboLOC 080 and LOC 120



Item	Article	Denomination	Quantity
0.00.00	22 008 22 009	torboLOC 080 torboLOC 120	
0.00.01	22 086	Abrasive supply hose 19-210, compl.	1
0.00.02	22 256 22 257	Frame torboLOC 080, powder-coat Frame torboLOC 120, powder-coat	1 1
0.00.03	20 315	Wheel d=280 mm, compl.	4
1.00.00		Sieve top	look page 6
2.00.00		Vessel	look page 7
3.00.00		Water tank	look page 13
4.00.00		Control cabinet	look page 14



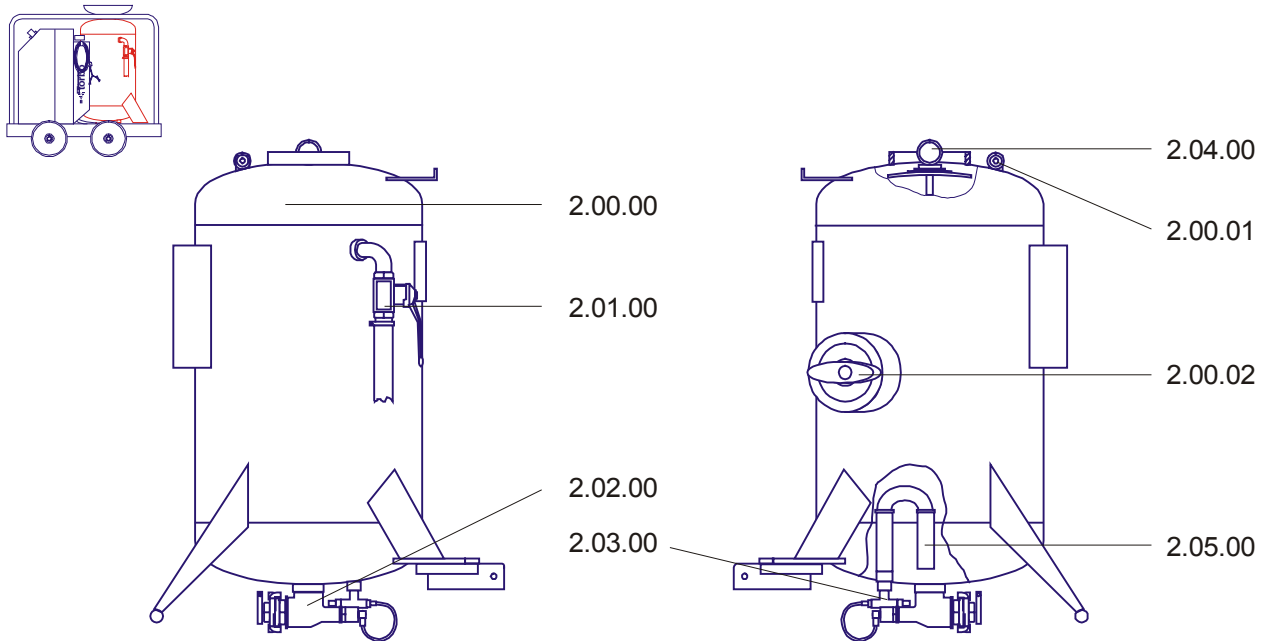
If you need more detailed information, please ask your dealer!

**1.00.00 Sieve top**

Item	Article	Denomination	Quantity
1.00.01	21 149	<b>For torboLOC 080</b> Sieve top T95, compl.	
1.00.02	21 294	<b>For torboLOC 120</b> Sieve top S95, compl.	
1.00.03	20 803	Rubber Plate (4-4-hole), Sieve top 95	1
	20 890	Gripping jaw (4-hole-blue), Sieve top 95	1
	21 474	Gripping jaw (4-hole-grey), Sieve top 95	1
	20 897	Fasterning element 08-005	4+4
		<b>For torboLOC 120 with Kit (203)</b>	
1.00.02	21 295	Sieve top S95, compl. (with Kit (203) – Water connection S95)	
	21 296	Water connection, Sieve top S95, compl.	1
1.00.03	20 803	Rubber Plate (4-4-hole), Sieve top 95	1
	20 890	Gripping jaw (4-hole-blue), Sieve top 95	1
	21 474	Gripping jaw (4-hole-grey), Sieve top 95	1
	20 897	Fasterning element 08-005	4+4
1.00.04	21 396	Rinsing nozzle 95	1
1.00.05	20 867	Elbow 1/4, F-Thread	1
1.00.06	20 908	Nippel 1/4, M-Thread	1
1.00.07	20 565	Reducer 1/4-3/8, F/M-Thread	1
1.00.08	20 200	Water-coupling (NW 40 mm) 3/8, F-Thread	1



If you need more detailed information, please ask your dealer!

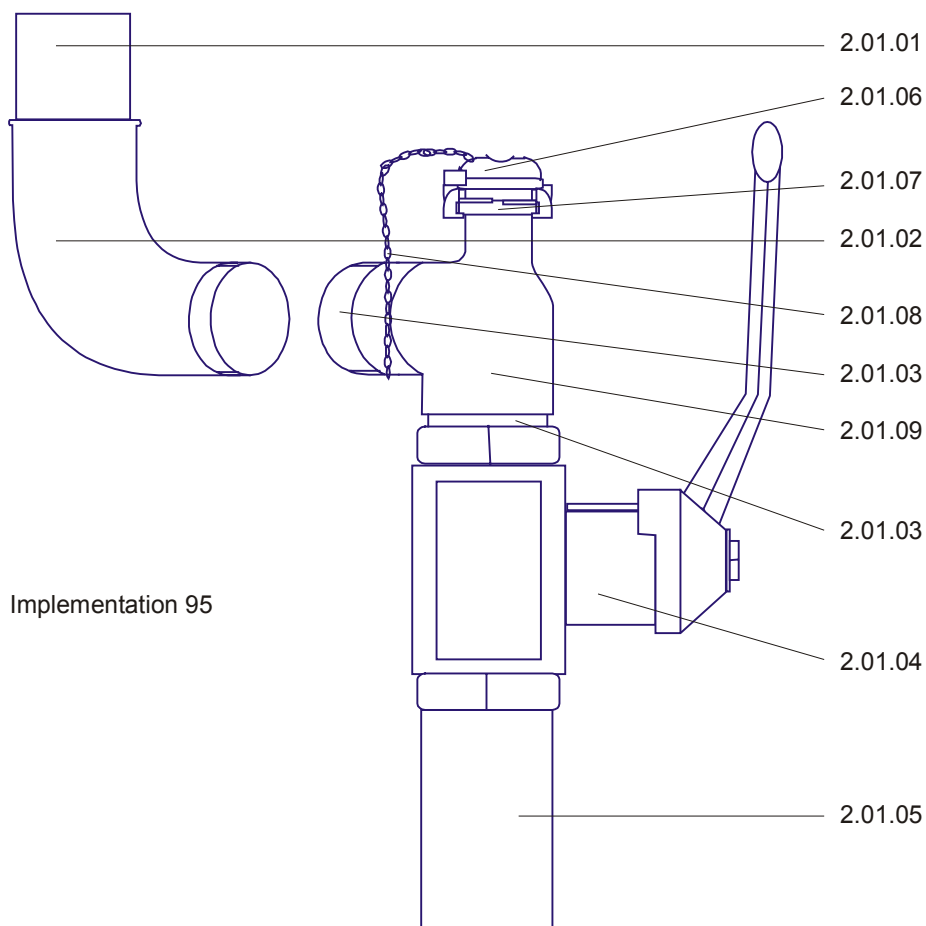
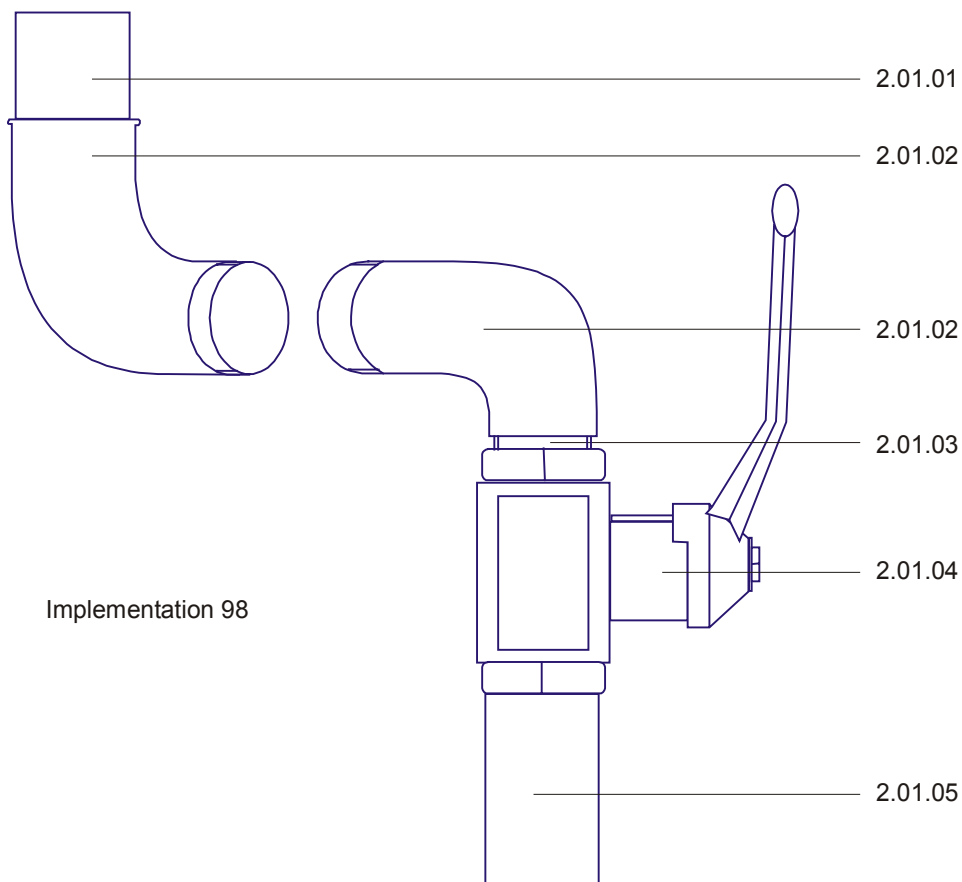
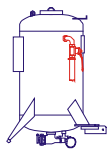
**2.00.00 Vessel (Tank)**

Item	Article	Denomination	Quantity
<b>2.00.00</b>		<b>For torboLOC 080</b>	
	21 089	Vessel 080 95, compl.	1
	21 090	Vessel 080 95, galvanize, powder-coat	1
<b>2.00.00</b>		<b>For torboLOC 120</b>	
	21 533	Vessel 120 98, compl.	1
	21 534	Vessel 120 98, galvanize, powder-coat	1
2.00.01	20 582	Pressure relief valve, Vessel, compl.	1
	20 180	Safty valve 3/4 – 12 bar, M-Thread	1
2.00.02	21 536	Vessel closure (lock)	1
2.01.00		Overflow	look page 8
2.02.00	21 741	Abrasive outlet 99, compl.	look page 10
2.03.00	21 742	Water feeding pipe 99, compl.	look page 10
2.04.00	20 636	Vessel sealing 99, compl.	look page 11
2.05.00	21 889	Internal water 99, compl. (im Vessel)	look page 12



If you need more detailed information, please ask your dealer!

2.01.00 Overflow



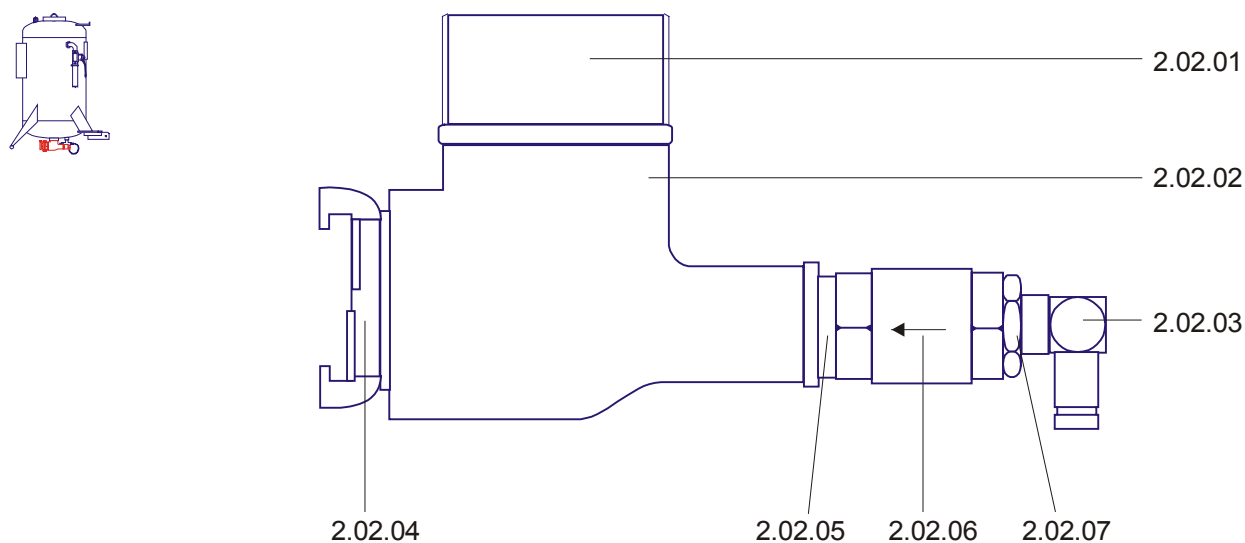


**2.01.00 Overflow**

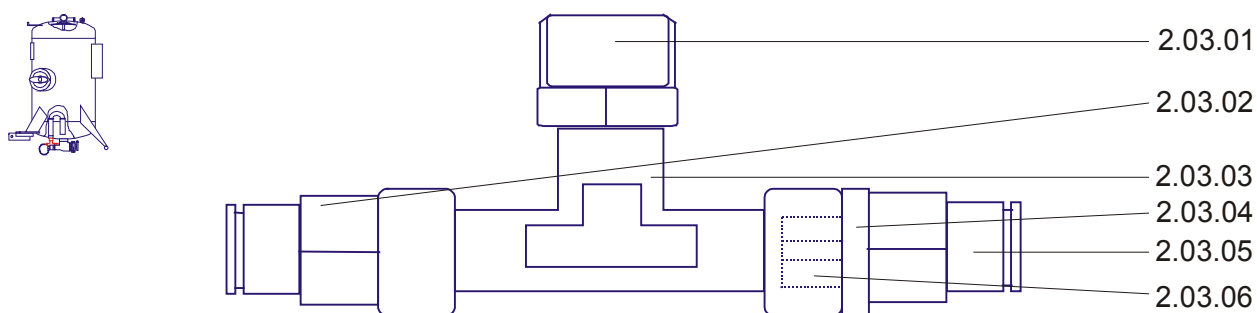
Item	Article	Denomination	Quantity
<b>2.01.00</b>		<b>Overflow 98</b>	<b>1</b>
	21 057	Overflow 98 (outside), compl. ( <u>Maschinentyp please declares!</u> )	1
	20 647	Overflow 95 (inside), compl.	1
2.01.01	21 005	Nippel 11/2-180 mm, M-Thread	0,5
2.01.02	20 169	Elbow 11/2, F/M-Thread	2
2.01.03	20 171	Nippel 11/2, M-Thread	1
2.01.04	20 335	Venting valve 11/2, F-Thread	1
	20 623	Handle, Venting valve 11/2 (blue)	1
2.01.05	21 005	Nippel 11/2-180 mm, M-Thread	0,5
<b>2.01.00</b>		<b>Overflow 95</b>	<b>1</b>
	20 502	Overflow 95 (outside), compl.	1
	20 647	Overflow 95 (inside), compl.	1
2.01.01	21 005	Nippel 11/2-180 mm, M-Thread	0,5
2.01.02	20 169	Elbow 11/2, F/M-Thread	1
2.01.03	20 171	Nippel 11/2, M-Thread	2
2.01.04	20 335	Venting valve 11/2, F-Thread	1
	20 623	Handle, Venting valve 11/2 (blue)	1
2.01.05	21 005	Nippel 11/2-180 mm, M-Thread	0,5
2.01.06	20 197	Water-coupling (NW 40 mm), Blind	1
2.01.07	21 297	Water-coupling (NW 40 mm) 1/2, M-Thread	1
2.01.08	20 125	Chain	0,3
	20 124	S-Hook, d= 3 mm	2
2.01.09	20 170	T-Fitting 11/2-11/2-1/2, F-Thread	1



If you need more detailed information, please ask your dealer!

**2.02.00 Abrasive outlet 99**

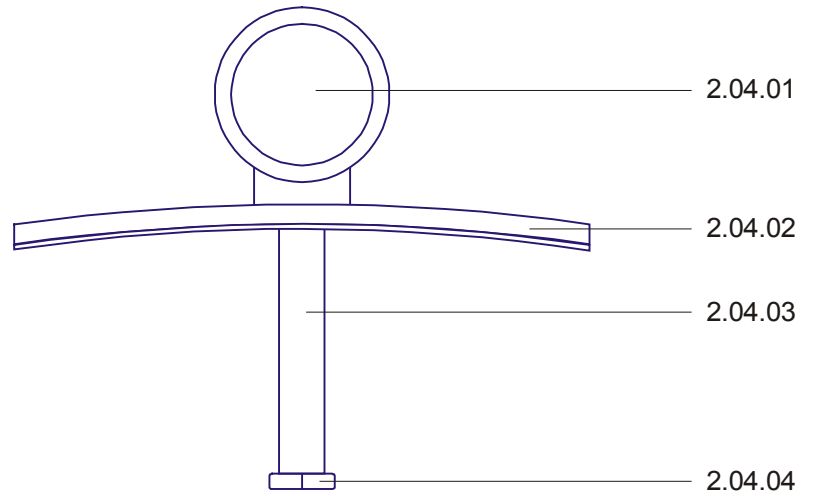
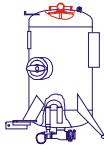
Item	Article	Denomination	Quantity
<b>2.02.00</b>	<b>21 741</b>	<b>Abrasive outlet 99, compl., Vessel</b>	<b>1</b>
2.02.01	20 171	Nippel 1 1/2, M-Thread	1
2.02.02	20 170	T-Fitting 1 1/2-1 1/2-1/2, F-Thread	1
2.02.03	20 134	Push-In 1/8-06, Form WA	1
2.02.04	20 201	Water-coupling (NW 40 mm) 1 1/2, M-Thread	1
2.02.05	20 149	Nippel 1/2 M-Thread	1
2.02.06	21 881	Non-return valve 1/4, F-Thread, Form straight	1
2.02.07	20 215	Reducer 1/8-1/2, F/M-Thread	1

**2.03.00 Water feeding pipe 99**

Item	Article	Denomination	Quantity
<b>2.03.00</b>	<b>21 742</b>	<b>Water feeding pipe 99, compl., Vessel</b>	<b>1</b>
2.03.01	20 214	Reducer 3/8-1/2, F/M-Thread	1
2.03.02	20 872	Push-In 3/8-08, Form GA	1
2.03.03	20 297	T-Fitting 3/8, F/M/F-Thread	1
2.03.04	20 338	Reducer 1/8-3/8, F/M-Thread	1
2.03.05	20 129	Push-In 1/8-06, Form GA	1
2.03.06	20 228	Nozzle 1/8	1



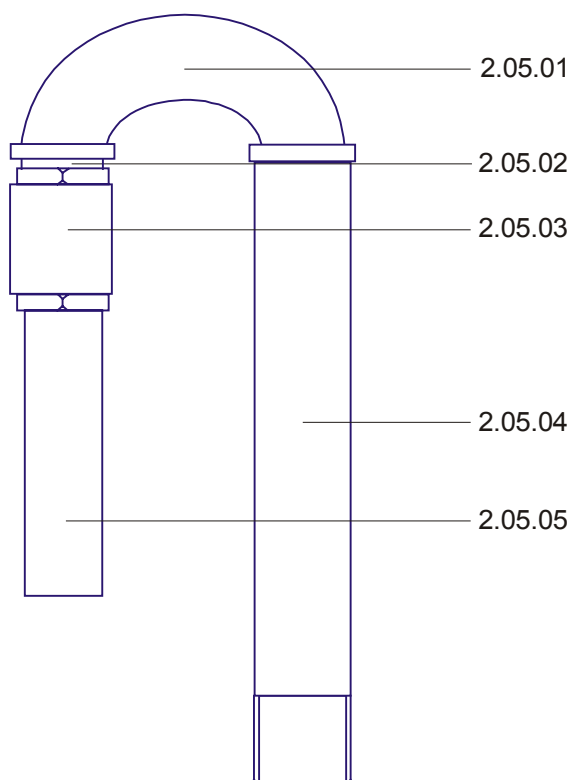
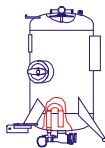
If you need more detailed information, please ask your dealer!

**2.04.00 Vessel sealing 99**

Item	Article	Denomination	Quantity
<b>2.04.00</b>	<b>20 636</b>	<b>Vessel sealing 98, compl., Vessel</b>	<b>1</b>
2.04.01	20 593	Exe. Nut M12	1
2.04.02	20 316	Gasket with Stainless bottom 98	1
2.04.03	20 348	Distancer 15/11x80mm	1
2.04.04	22 043	Hex. Head Screw DIN 933-M12x90-A2	1



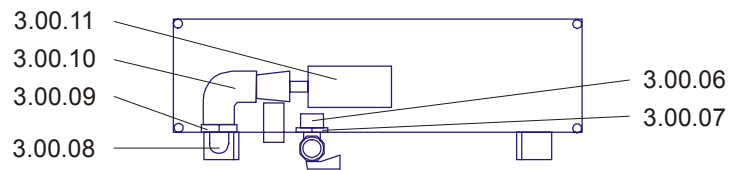
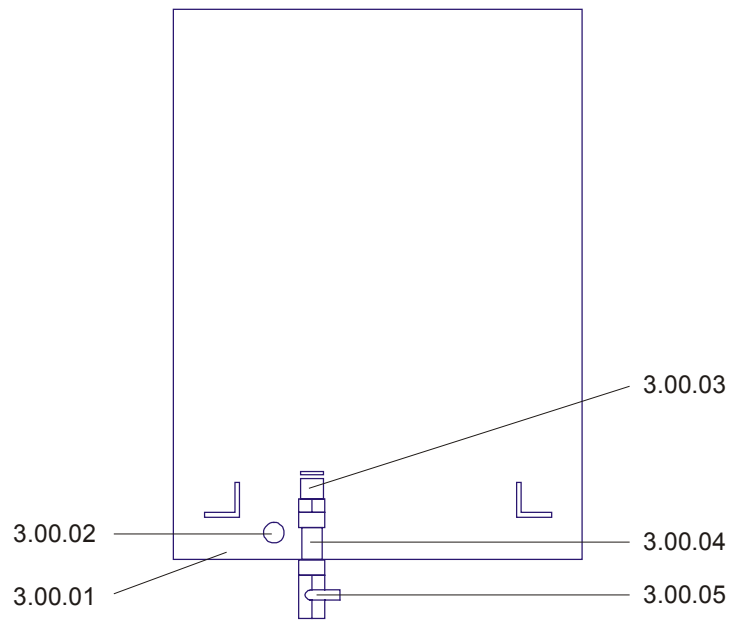
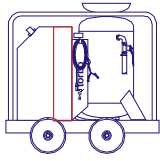
If you need more detailed information, please ask your dealer!

**2.05.00 Internal water 99 (inside Vessel)**

Item	Article	Denomination	Quantity
<b>2.05.00</b>	<b>21 889</b>	<b>Internal water 99, compl., Vessel</b>	<b>1</b>
2.05.01	20 167	Elbow 1/2-180°, F-Thread	1
2.05.02	20 149	Nippel 1/2, M-Thread	1
2.05.03	21 883	Non-return valve 1/2, Form straight, F-Thread	1
2.05.04	20 164	Nippel 1/2-180 mm, M-Thread	1
2.05.05	21 884	Nippel 1/2-80 mm, M-Thread	1



If you need more detailed information, please ask your dealer!

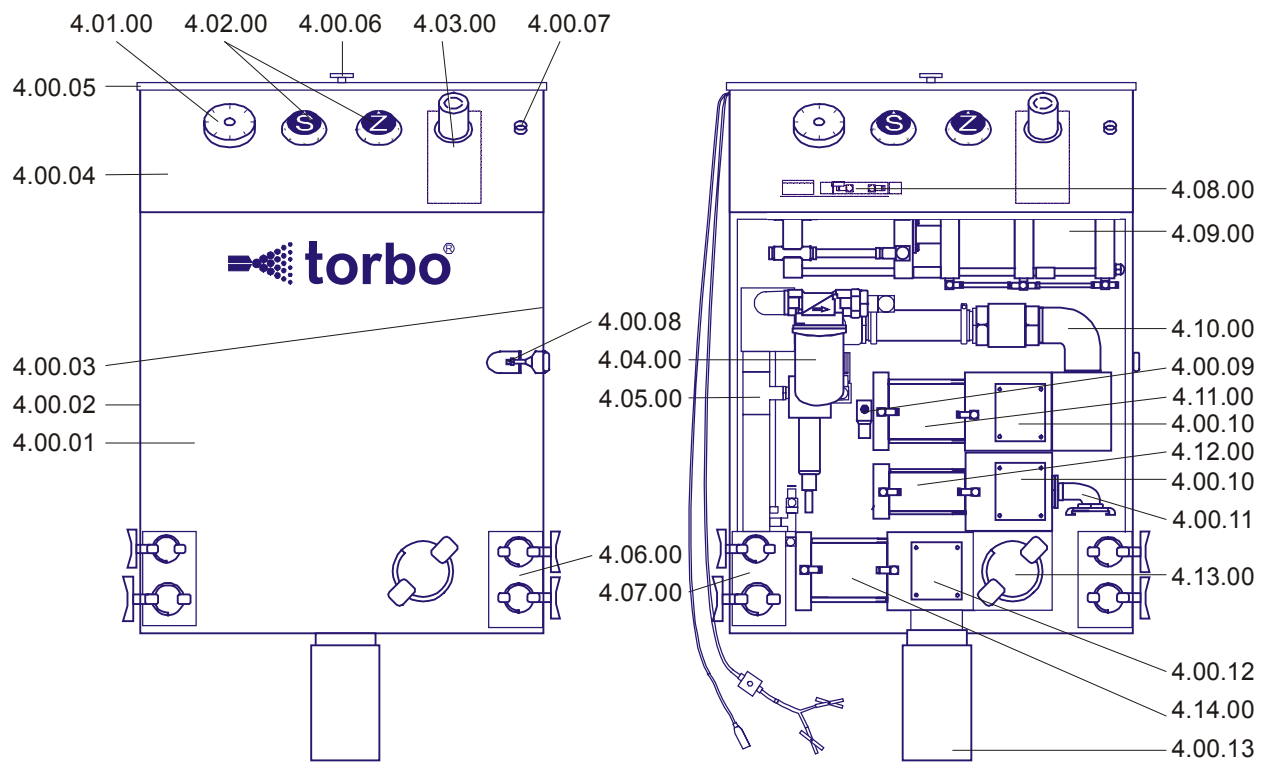
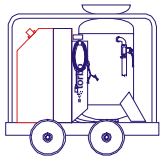
**3.00.00 Water tank**

Item	Article	Denomination	Quantity
<b>3.00.00</b>	<b>22 241</b>	<b>Water tank LOC 01, compl.</b>	<b>1</b>
3.00.01	22 242	Water tank LOC 01	1
3.00.02	22 108	Inclination-counters 00	1
3.00.03	20 820	Push-In 3/8-12, Form GA	1
3.00.04	20 910	T-Fitting 3/8, F-Thread	1
3.00.05	20 938	Venting valve 3/8, F/M-Thread	1
3.00.06	20 214	Reducer 3/8-1/2, F/M-Thread	1
3.00.07	20 148	Nippel 3/8, M-Thread	1
3.00.08	21 943	Push-In 1/2-12, Form WA	1
3.00.09	21 740	Reducer 1/2-3/4, F/M-Thread	1
3.00.10	20 156	Elbow 3/4, F-Thread	1
3.00.11	22 107	Swimmer-counters 00, compl.	1



If you need more detailed information, please ask your dealer!

### 4.00.00 Control cabinet



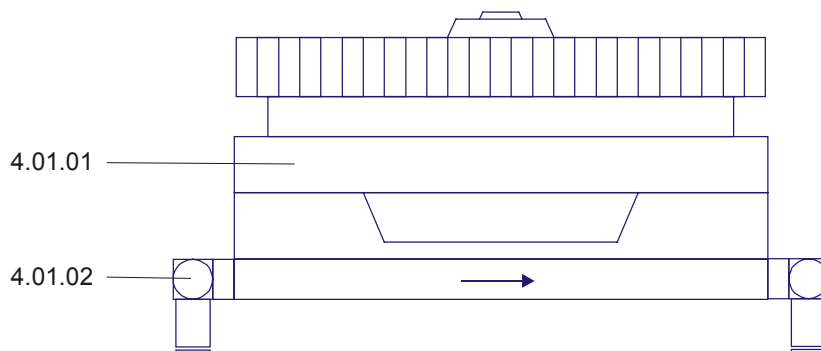
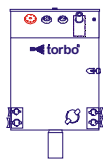
**4.00.00 Control cabinet**

Item	Article	Denomination	Quantity
4.00.01	22 243	Control cabinet LOC 01, Door, powder-coat	1
	21 847	Hinge 99, compl.	2
4.00.02	22 244	Control cabinet LOC 01, Sheet metal-plate left, powder-coat	1
4.00.03	22 245	Control cabinet LOC 01, Sheet metal-plate right, powder-coat	1
4.00.04	22 246	Control cabinet LOC 01, Control metal-plate, powder-coat	1
4.00.05	22 247	Control cabinet LOC 01, Metal-plate, powder-coat	1
4.00.06	22 248	Locking screw, Metal-plate, Control cabinet LOC 01	1
4.00.07	21 963	Semi-automatic valve, compl.	1
4.00.08	20 518	Latches, Control cabinet, compl.	1
	20 517	Hook, Control cabinet, compl.	1
4.00.09	22 196	Port valve 01 DWS, electrical, compl.	1
	22 190	Port valve 01-1/8-1, electrical	1
	22 197	Port valve 01 DWS, pneumatical, compl.	1
	22 200	Port valve 01-1/8-1, pneumatical	1
4.00.10	21 686	Cover plate 99 DWS	1
	20 236	O-Ring 60x3	1
	21 835	Fastening element 06-010	4
	20 112	Hex. Head Screw DIN 933-M6x20-A2	1
	21 397	Washer DIN 137-6,4-A2	1
	21 834	Washer DIN 9021-6,4-A2	1
4.00.11	20 156	Elbow 3/4, F-Thread	1
	20 198	Water-coupling (NW 40 mm) 3/4, M-Thread	1
4.00.12	21 900	Cover plate 99 QS	1
	20 236	O-Ring 60x3	1
	21 835	Fastening element 06-010	4
	20 112	Hex. Head Screw DIN 933-M6x20-A2	1
	21 397	Washer DIN 137-6,4-A2	1
	21 834	Washer DIN 9021-6,4-A2	1
4.00.13	21 853	Hose, Quick stop QS8099, compl.	1
4.01.00		Compressed air-Regulation 01, Membrane-control	look page 16
4.02.00		Dosing valves	look page 16
4.03.00		Powerbox LOC 01	look page 18
4.04.00		Water filter LOC 01	look page 20
4.05.00		Compressed air-dispatchers LOC 01	look page 20
4.06.00		Water connection LOC 01	look page 22
4.07.00		Compressed air connection LOC 01	look page 22
4.08.00		Control of Piston pump	look page 24
4.09.00		Piston pump 3K/080/D	look page 26
4.10.00		Control, Switching unit D8099	look page 28
4.11.00		Switching unit D8099	look page 30
4.12.00		Switching unit S5099	look page 32
4.13.00		Blast hose connection LOC 01	look page 34
4.14.00		Switching unit QS8099 (Kit 411)	look page 36

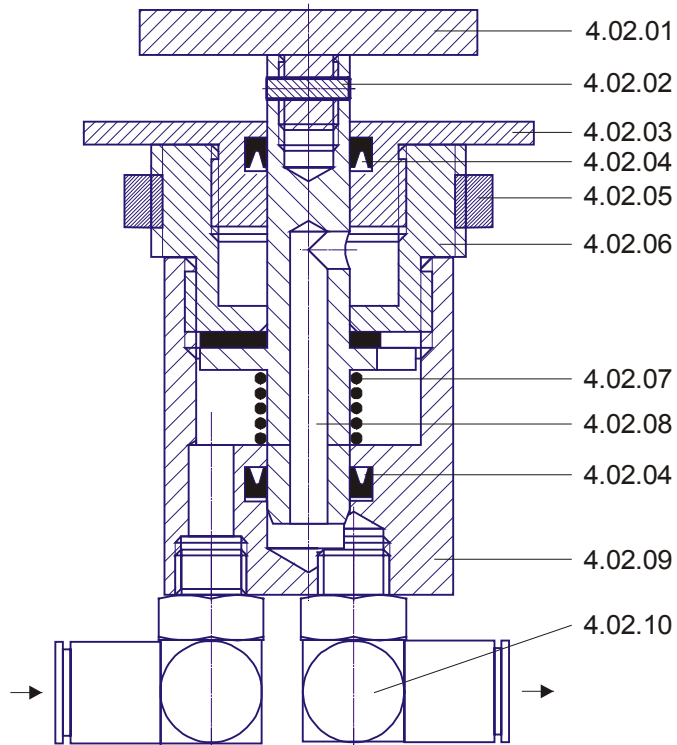
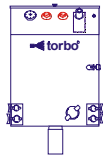


If you need more detailed information, please ask your dealer!

**4.01.00 Compressed air-Regulation 01, Membrane-control**



**4.02.00 Dosing valves**





**4.01.00 Compressed air-regulators 01**

<b>Item</b>	<b>Article</b>	<b>Denomination</b>	<b>Quantity</b>
	<b>22 253</b>	<b>Compressed air-Regulation 01, Membrane-control, compl.</b>	
4.01.01	22 251	Membrane-control 01-1, Regulator	1
4.01.02	20 136	Push-In 1/4-08, Form WA	1

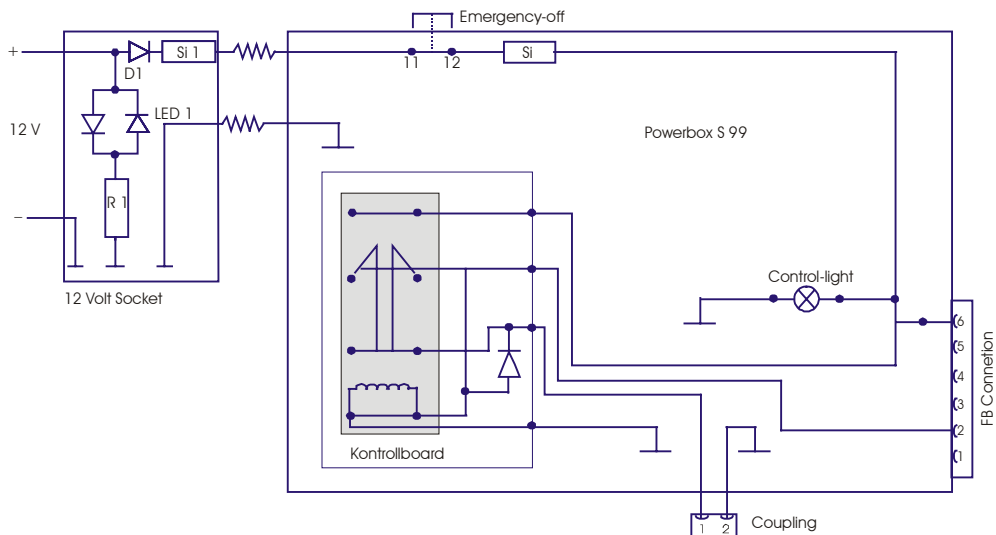
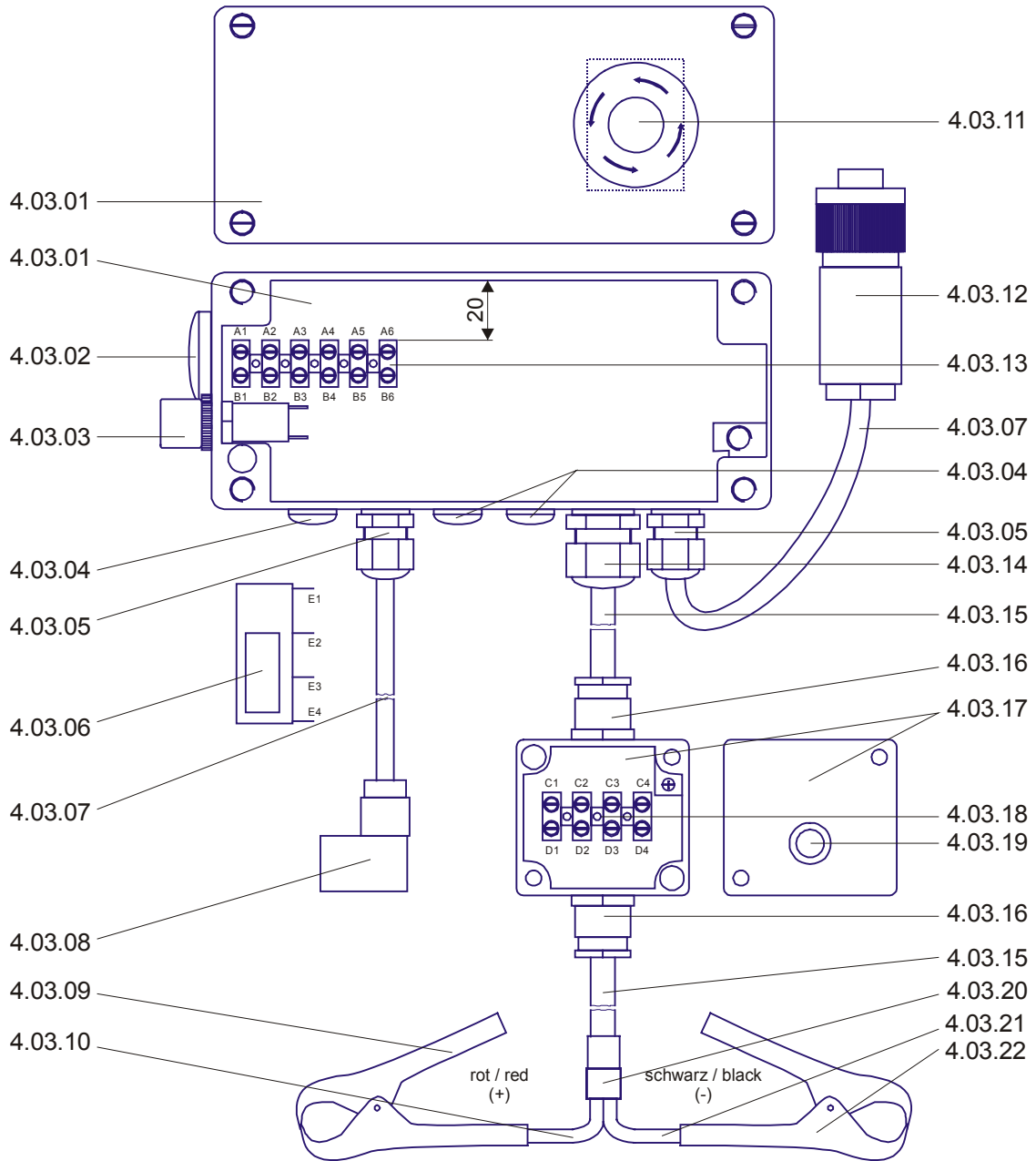
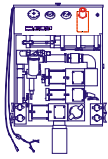
**4.02.00 Dosirventile**

<b>Item</b>	<b>Article</b>	<b>Denomination</b>	<b>Quantity</b>
<b>4.02.00</b>	<b>21 849</b>	<b>Dosing valve 99-03, compl. (Please declaring whether “S” or “Z”)</b>	<b>1</b>
	<b>21 850</b>	<b>Dosing valve 99-06, compl. (Please declaring whether “S” or “Z”)</b>	<b>1</b>
4.02.01	21 664	Handwheel, Dosing valve 99	1
	21 857	Sticker S	1
	21 858	Sticker Z	1
4.02.02	21 921	Screw thread-pen DIN 913-M4x10-A2	1
4.02.03	21 665	Scale, Dosing valve 98	1
	22 033	Sticker Scale 99-03	1
	22 034	Sticker Scale 99-06	1
	22 233	Sticker Protection-foil Scale 99	1
4.02.04	20 893	Gasket 11x17x4	2
4.02.05	22 046	Check nut 1 1/4	1
4.02.06	21 917	Insert 99-03, Dosing valve 99	1
	21 918	Insert 99-06, Dosing valve 99	1
4.02.07	21 916	Pressure-feather DV 99	1
4.02.08	21 667	Pestles, Dosing valve 98	1
4.02.09	21 922	Base element, Dosing valve 99	1
4.02.10	20 135	Push-In 1/8-08, Form WA	1



If you need more detailed information, please ask your dealer!

4.03.00 Powerbox LOC 01, compl.



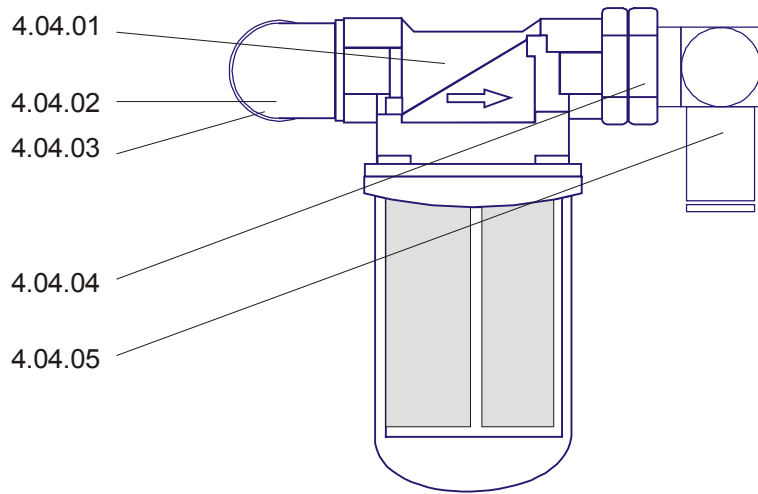
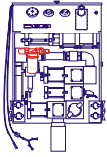
**4.03.00 Powerbox S00, compl.**

Item	Article	Denomination	Quantity
<b>4.03.00</b>	<b>22 258</b>	<b>Powerbox LOC 01, compl.</b>	<b>1</b>
	<b>20 511</b>	<b>Socket, compl.</b>	<b>1</b>
4.03.01	21 928	Casings, Powerbox S99	1
4.03.02	21 930	Blind PG 11	1
	21 325	Gasket PG 11	1
4.03.03	22 226	Controllamp, Powerbox FB S-U 99, compl.	1
4.03.04	20 450	Blind PG 7	3
	21 323	Gasket PG 7	3
4.03.05	20 451	Screwing with strain relief PG 7	2
	21 323	Gasket PG 7	2
4.03.06	21 351	Control-board FB S (inside)	1
4.03.07	21 342	Cable 2x0,75 – 1 m	1,3
4.03.08	21 547	Coupling mit LED (Port valve)	1
4.03.09	20 683	Pole tong red	1
4.03.10	21 029	Tube, 06x1-2.000 mm, PA rot	0,250
4.03.11	21 860	Emergency-off-switch 99	1
4.03.12	21 803	Coupling, Cable 99	1
4.03.13	21 329	Terminal block (6er)	1
4.03.14	21 136	Screwing with strain relief PG 9	1
	21 323	Gasket PG 9	1
4.03.15	20 800	Cable 2x1-500 m	12,500
4.03.16	21 402	Screwing with strain relief PG 9, brass	2
4.03.17	21 321	Casings, Socket	1
4.03.18	21 328	Terminal block 4er	1
4.03.19	21 125	LED red/green	1
	21 237	Casings, LED 95	1
4.03.20	21 338	Protective tube 12/3-1 m (sticks)	0,050
4.03.21	21 031	Tube, 06x1-2.000 mm, PA blue	0,250
4.03.22	20 682	Pole tong black	1

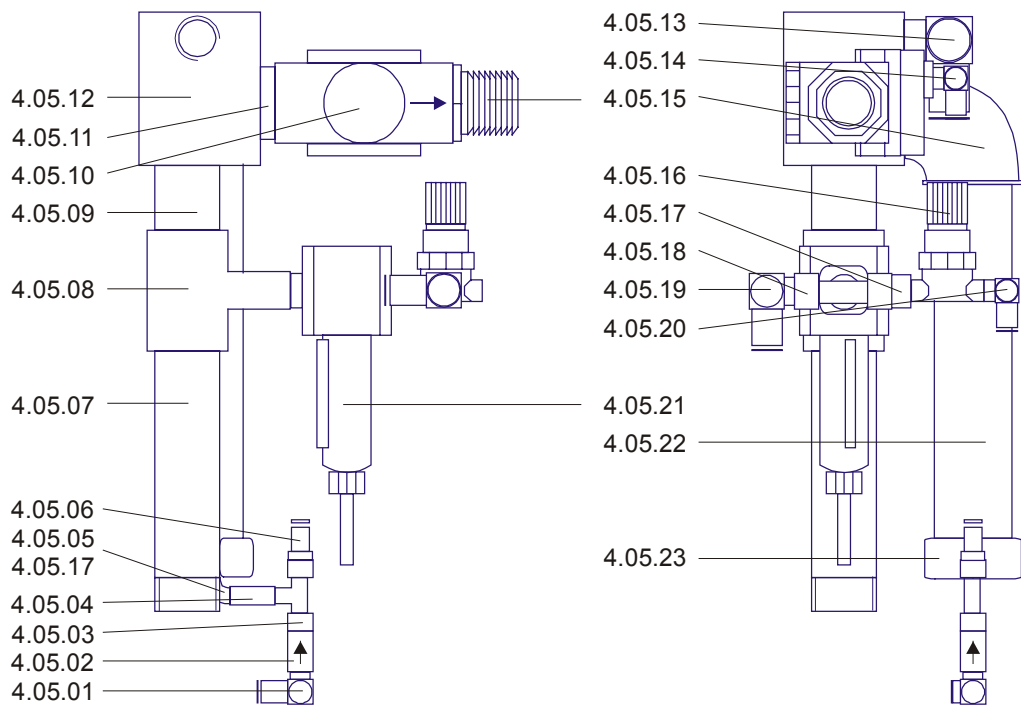
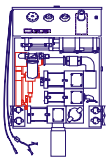


If you need more detailed information, please ask your dealer!

**4.04.00 Water filter LOC 01**



**4.05.00 Compressed air-dispatchers LOC 01**



**4.04.00 Water filter LOC 01**

<b>Item</b>	<b>Article</b>	<b>Denomination</b>	<b>Quantity</b>
<b>4.04.00</b>	<b>22 249</b>	<b>Water filter LOC 01, compl.</b>	<b>1</b>
4.04.01	20 187	Water filter 1	1
4.04.02	20 158	Elbow 1, F/M-Thread	1
4.04.03	22 214	Nippel 1 – 60 mm, M-Thread	1
4.04.04	20 152	Reducer 3/8-1, F/M-Thread	1
4.04.05	20 819	Push-In 3/8-12, Form WA	1

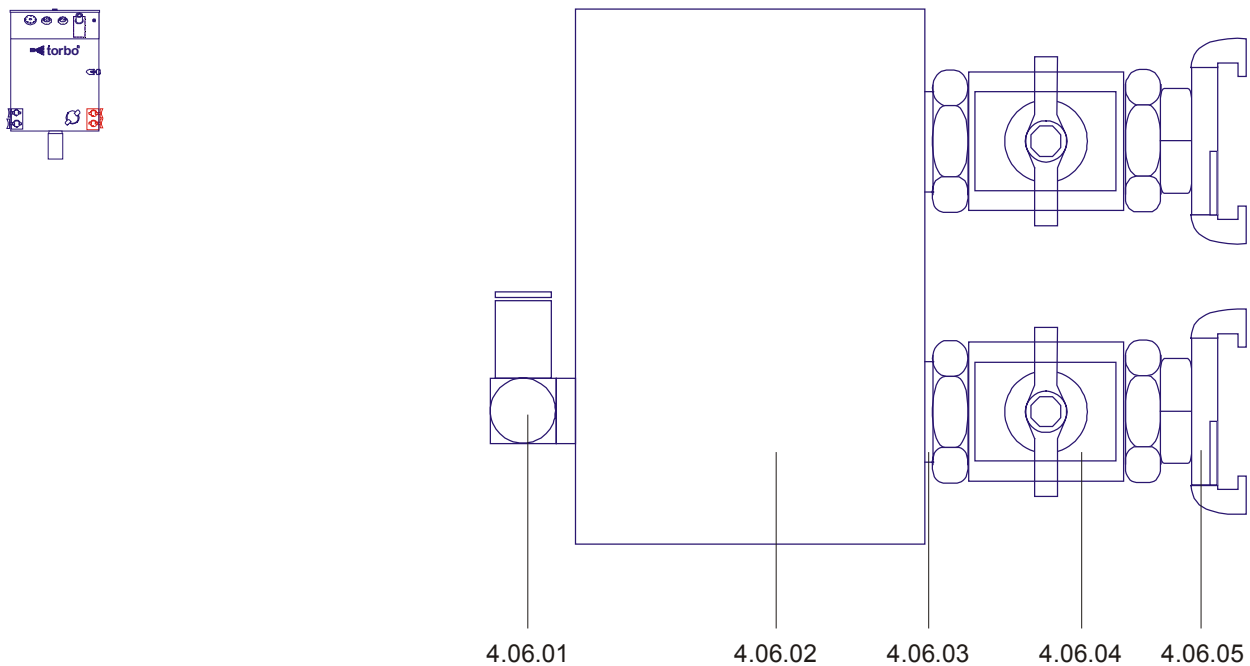
**4.05.00 Compressed air-dispatchers LOC 01**

<b>Item</b>	<b>Article</b>	<b>Denomination</b>	<b>Quantity</b>
<b>4.05.00</b>	<b>22 259</b>	<b>Compressed air-dispatchers LOC 01</b>	<b>1</b>
4.05.01	21 559	Push-In 1/4-08, Form WI	1
4.05.02	20 211	Non-return valve 1/4, M-Thread	1
4.05.03	21 774	T-Fitting 1/4, F/M/F-Thread	1
4.05.04	21 823	Extension 1/4	1
4.05.05	20 778	Elbow 1/4, F/M-Thread	1
4.05.06	20 128	Push-In 1/4-08, Form GA	1
4.05.07	21 005	Nippel 1 1/2 – 180 mm	1
4.05.08	20 170	T-Fitting 1 1/2-1 1/2-1/2, F-Thread	1
4.05.09	20 601	Nippel 1 1/2 – 80 mm	1
4.05.10	22 252	Membrane-control 01-1, Membrane	1
4.05.11	20 978	Nippel 1, M-Thread	1
4.05.12	22 250	Block LOC 01-1	1
4.05.13	20 819	Push-In 3/8-12, Form WA	1
4.05.14	20 136	Push-In 1/4-08, Form WA	1
4.05.15	21 684	Elbow 2, F/M-Thread	1
4.05.16	21 848	Regulator DL99 – 1/4	1
4.05.17	20 908	Nippel 1/4; M-Thread	2
4.05.18	21 774	T-Fitting 1/4, M/F/M-Thread	1
4.05.19	22 066	Fitting 1 – 25 mm	1
4.05.20	20 288	Push-In 1/4-06, Form WA	1
4.05.21	21 833	Compressed air filter 1499	1
4.05.22	21 819	Nippel 2 – 250 mm, M-Thread	1
4.05.23	21 771	Cap 2	1

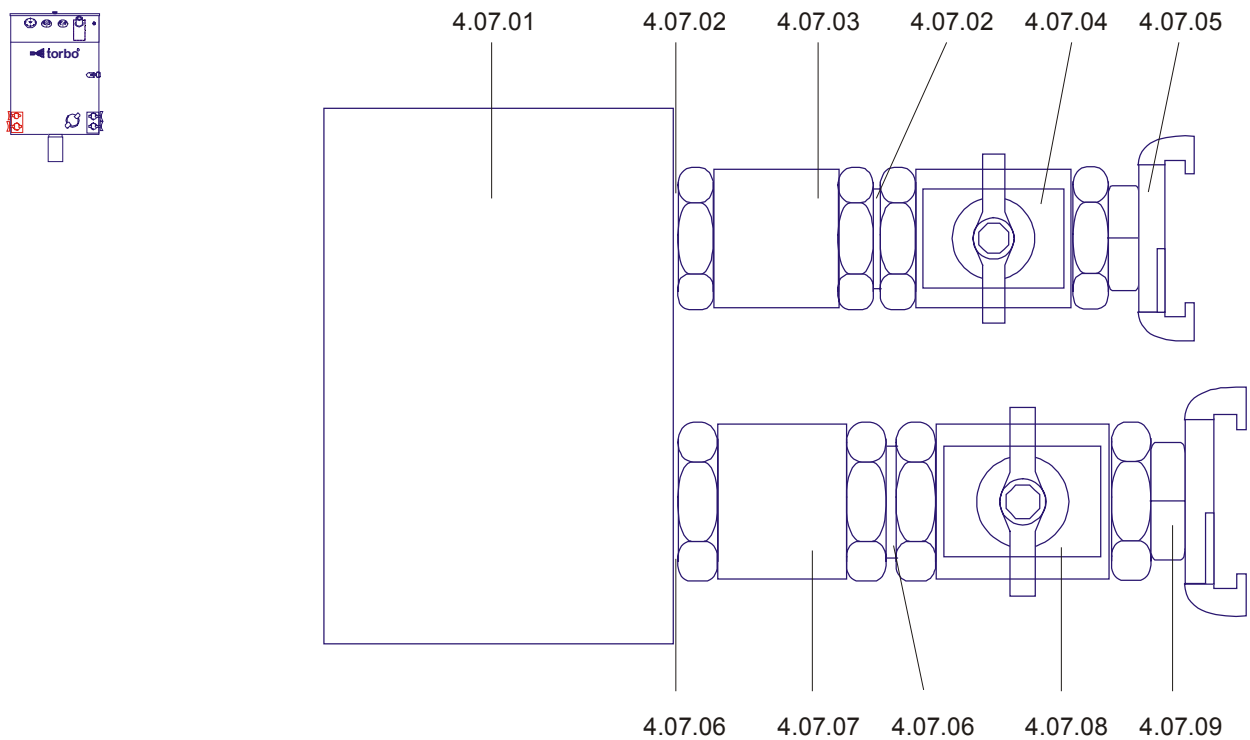


If you need more detailed information, please ask your dealer!

**4.06.00 Water connection LOC 01**



**4.07.00 Compressed air connection LOC 01**



**4.06.00 Water connection LOC 01**

<b>Item</b>	<b>Article</b>	<b>Denomination</b>	<b>Quantity</b>
<b>4.06.00</b>	<b>22 260</b>	<b>Water connection LOC 01</b>	<b>1</b>
4.06.01	20 819	Push-In 3/8-12, Form WA	1
4.06.02	22 254	Block LOC 01-2	1
4.06.03	20 150	Nippel 3/4, M-Thread	2
4.06.04	22 262	Venting valve 3/4, F-Thread (Grip)	2
4.06.05	20 198	Water-coupling (NW 40 mm) 3/4, M-Thread	2

**4.07.00 Compressed air connection LOC 01**

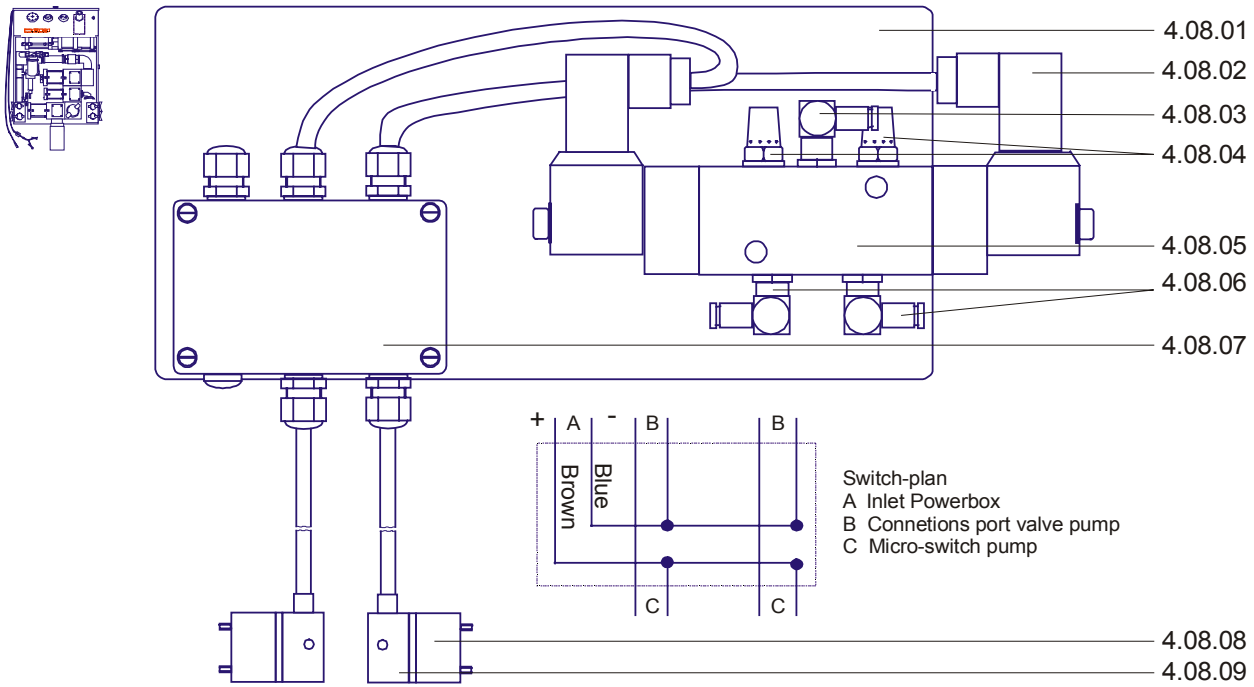
<b>Item</b>	<b>Article</b>	<b>Denomination</b>	<b>Quantity</b>
<b>4.07.00</b>	<b>22 261</b>	<b>Compressed air connection LOC 01, compl.</b>	<b>1</b>
4.07.01	22 255	Block LOC 01-3	1
4.07.02	20 150	Nippel 3/4, M-Thread	2
4.07.03	21 768	Non-return valve 3/4, F-Thread, Form straight	1
4.07.04	22 262	Venting valve 3/4, F-Thread (Grip)	1
4.07.05	21 133	Compressed air coupling (NW 42 mm) 3/4, M-Thread	1
4.07.06	20 978	Nippel 1, M-Thread	2
4.07.07	21 738	Non-return valve 1, F-Thread, Form straight	1
4.07.08	22 263	Venting valve 1, F-Thread (Grip)	1
4.07.09	21 037	Compressed air coupling (NW 42 mm) 1, M-Thread	



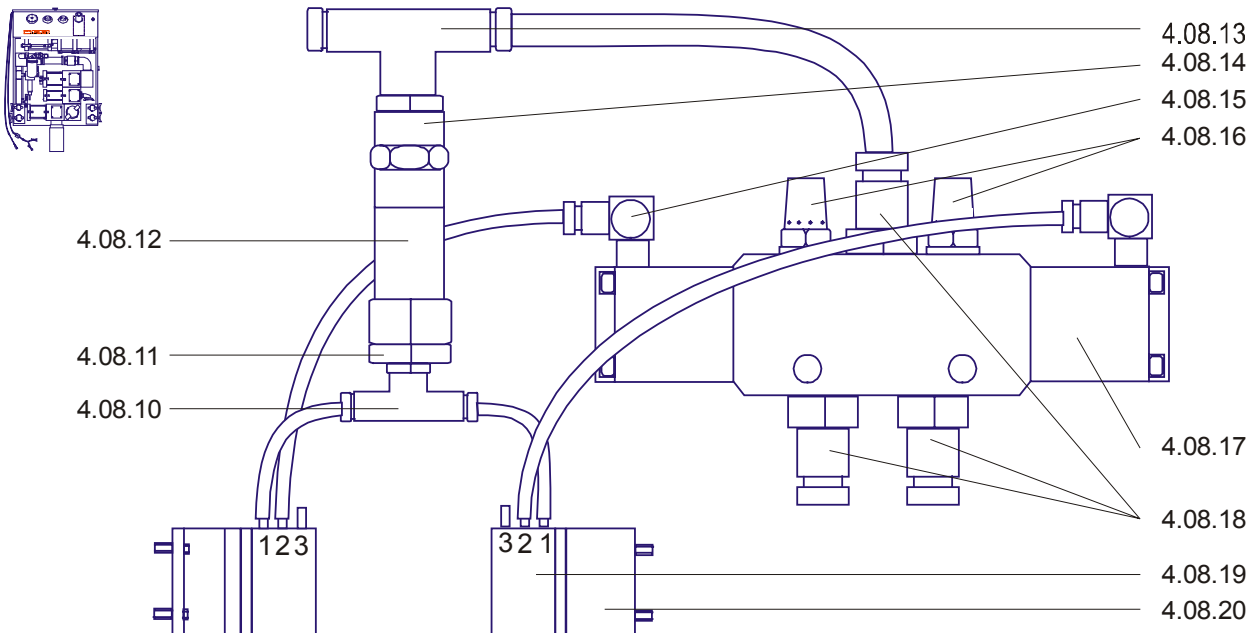
If you need more detailed information, please ask your dealer!

### 4.08.00 Control of Piston pump

#### Electricale Control



#### Pneumaticale Control





**4.08.00 Control of Piston pump**

## Electricale Control

Item	Article	Denomination	Quantity
		<b>Control 3K/080/D (electrical), compl.</b>	<b>1</b>
4.08.01	22 229	Plate, Pump control 01 (electrical)	1
4.08.02	22 202	Coupling, Port valve 01 (electrical)	2
4.08.03	21 342	Cable 2x0,75-1 m	0,400
4.08.04	20 225	Noise surpression 1/8	2
4.08.05	22 192	Port valve 01-3K/080, compl. (electrical)	1
	22 191	Port valve 01-1/8-2 (electrical)	1
	22 227	Fastening element 04-013	2
	21 901	Screw M4x30	1
	20 948	Hex. nut M4	1
4.08.06	20 134	Push-In 1/8-06, Form WA	2
4.08.07	21 488	Casings, Powerbox	1
	21 328	Terminal block (4er)	1
	20 451	Screwing with Strain relief PG7	5
	20 450	Blind PG7	1
	21 323	Gasket PG7	6
	22 228	Screw DIN 7991-M4x16-A2	2
4.08.08	21 872	Bracket, Micro switch 99	2
4.08.09	20 443	Micro switch Piston pump	2

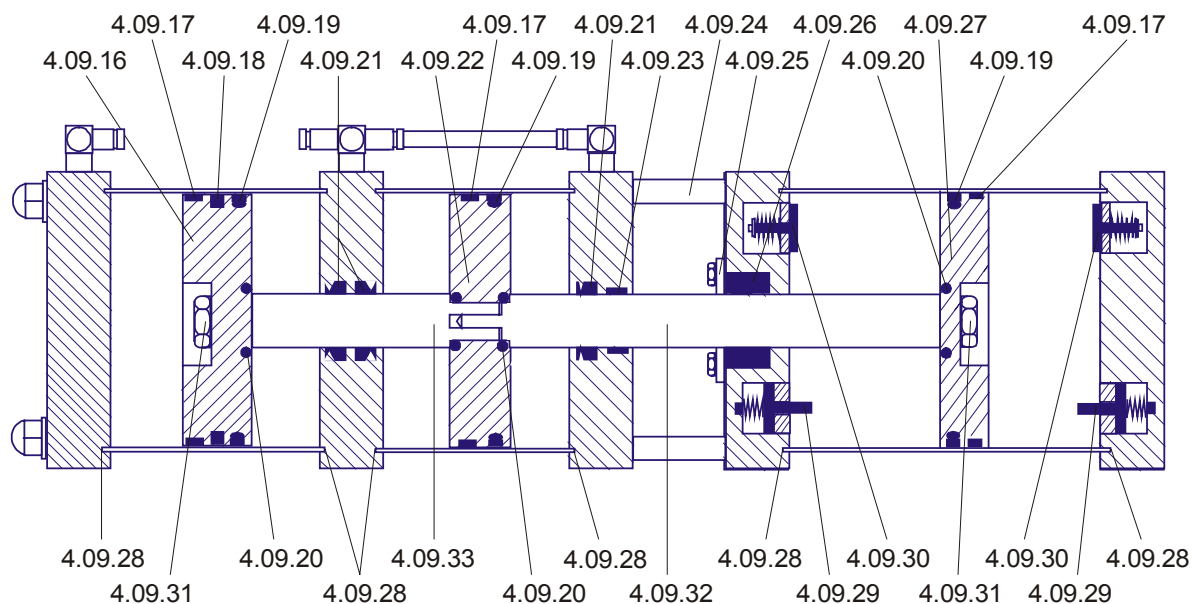
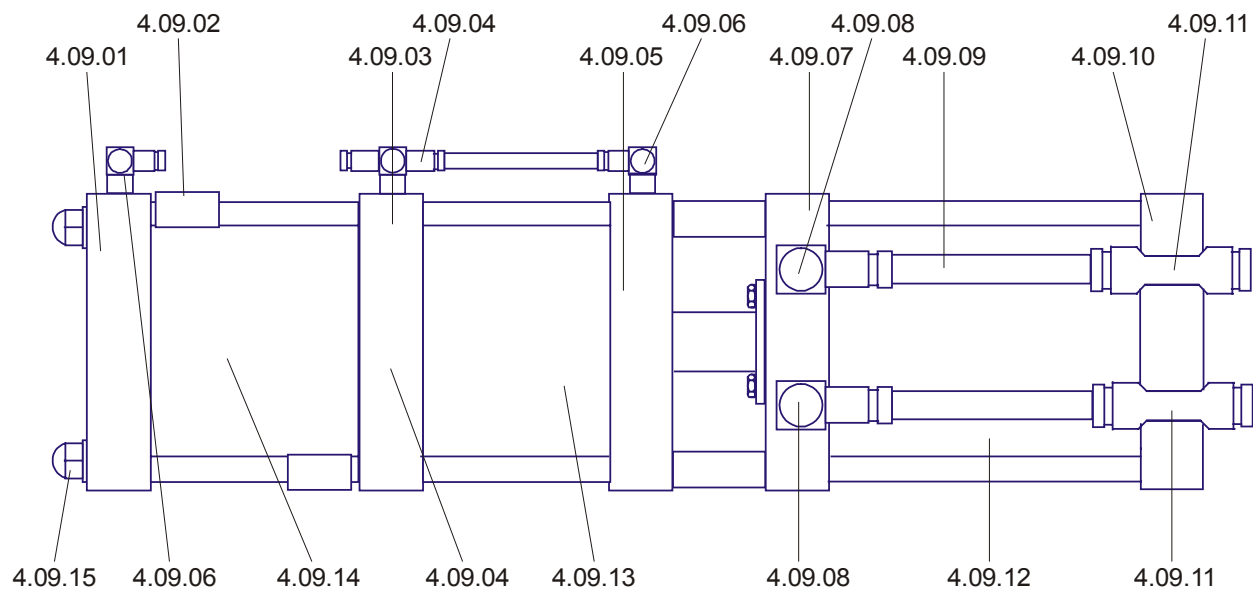
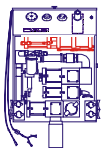
## Pneumaticale Control

Item	Article	Denomination	Quantity
		<b>Control 3K/080/D (pneumatal), compl.</b>	<b>1</b>
	<b>21 936</b>	<b>Pressure resucer 99DM</b>	<b>1</b>
4.08.10	21 645	Push-In 1/8-05, Form TA	1
4.08.11	20 499	Reducer 1/8-1/4, F/M-Thread	1
4.08.12	21 823	Nippel 1/4-20 mm, F-Thread	1
4.08.13	20 856	Push-In 1/4-06, Form TA	1
4.08.14	21 825	Pressure resucer 6,0-1/4, F/M-Thread	1
	<b>22 194</b>	<b>Port valve 01 3K/080/DM compl. pneum.</b>	<b>1</b>
4.08.15	21 411	Push-In M5-05, Form WA	2
4.08.16	20 225	Noise surpression 1/8	2
4.08.17	22 199	Port valve 01-1/8-2 pneum.	1
4.08.18	20 129	Push-In 1/8-06, Form GA	3
4.08.19	21 871	Micro switch pneum.	2
4.08.20	20 444	Bracket, Micro switch	2



If you need more detailed information, please ask your dealer!

4.09.00 Piston pump 3K/080/D



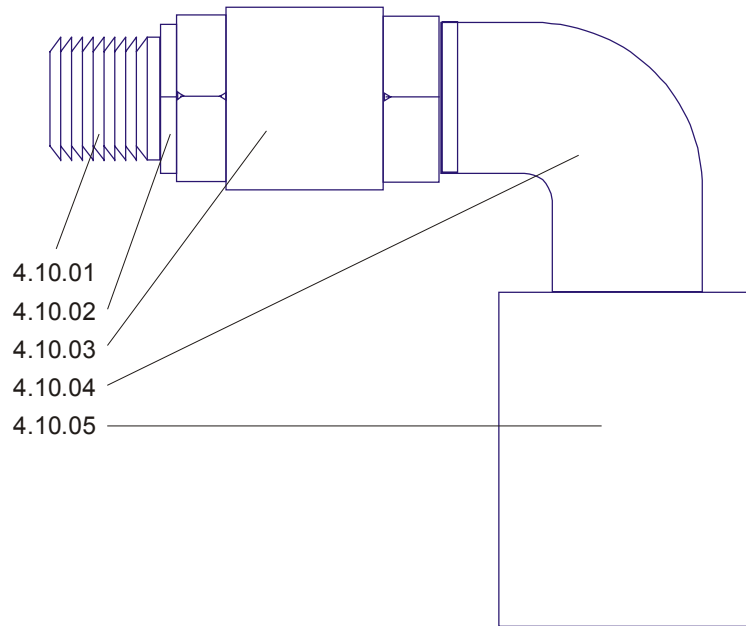
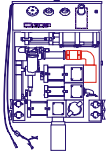
**4.09.00 Piston pump 3K/080/D**

Item	Article	Denomination	Quantity
<b>4.09.00</b>	<b>20 730</b>	<b>Piston pump 3K/080/D</b>	<b>1</b>
	<b>20 732</b>	<b>Exchange-Piston pump 3K/080/D</b>	<b>1</b>
4.09.01	20 707	Plate 3K/080/D (1)	1
4.09.02	20 444	Bracket, Micro switch 99	2
4.09.03	20 708	Plate 3K/080/D (2)	1
4.09.04	20 292	Push-In 1/8-06, Form TA	2
4.09.05	20 709	Plate 3K/080/D (3)	1
4.09.06	20 134	Push-In 1/8-06, Form WA	2
4.09.07	20 710	Plate 3K/080/D (4)	1
4.09.08	20 819	Push-In 3/8-12, Form WA	2
4.09.09	21 026	Tube 12x1,50-1.000 mm	0,100
4.09.10	20 711	Plate 3K/080/D (5)	1
4.09.11	21 915	Push-In 3/8-12, Form TA	2
4.09.12	20 717	Cylinder 3K/080/D (W)	1
4.09.13	20 715	Cylinder 3K/080/D (LM)	1
4.09.14	20 716	Cylinder 3K/080/D (L)	1
4.09.15	20 290	Tow bar 3K/080/D, compl.	4
	20 114	Washer DIN 137-11-A2	4
4.09.16	20 713	Piston 3K/080/D (L)	1
4.09.17	21 218	Guiding band 08x1,5-1.000 mm	0,380
4.09.18	20 386	Magnetic band 6x6-240 mm	1
4.09.19	20 734	Gasket 80x64,5x6,3	3
4.09.20	20 726	O-Ring 15x2,5	4
4.09.21	20 238	Gasket 20x28,5x5,5	3
4.09.22	20 712	Piston 3K/080/D (LM)	1
4.09.23	21 217	Guiding band 04x1,5-1.000 mm	0,080
4.09.24	20 255	Distancer 15/11-25 mm	4
4.09.25	20 772	Instep-disk 48 mm	1
	21 385	Fasterning element 04-001	3
	20 113	Hex. Head Screw DIN 933-M4x12-A2	1
	20 116	Washer DIN 137-4,3-A2	1
4.09.26	20 181	Gasket 20x30x18,5	1
4.09.27	20 714	Piston 3K/080/D (W)	1
4.09.28	20 185	Gasket TEK 08095	6
4.09.29	20 655	Non-return valve TEK 05D95	2
	20 368	Hole-disk, Non-return valve TEK 0595	1
	20 370	Pestles, Non-return valve TEK 05D95	1
	20 375	Pressure-feather TEK 0595	1
4.09.30	20 654	Non-return valve TEK 05S95	2
	20 368	Hole-disk, Non-return valve TEK 0595	1
	20 369	Pestles, Non-return valve TEK 05S95	1
	20 375	Pressure-feather TEK 0595	1
	21 390	Fasterning element 03-001	1
	20 383	Cylinder-screw DIN 6912-M3x10-A2	1
	20 927	Washer DIN 9021-3,3-A2	1
4.09.31	21 394	Fasterning element 10-003	2
	20 286	Hex. Head Screw DIN 933-M10x25-A2	1
	20 291	Washer DIN 9021-11-A2	1
4.09.32	20 728	Piston-rod 3K/080/D (W), compl.	1
4.09.33	20 727	Piston-rod 3K/080/D (L), compl.	1



If you need more detailed information, please ask your dealer!

### 4.10.00 Control, Switching unit D8099



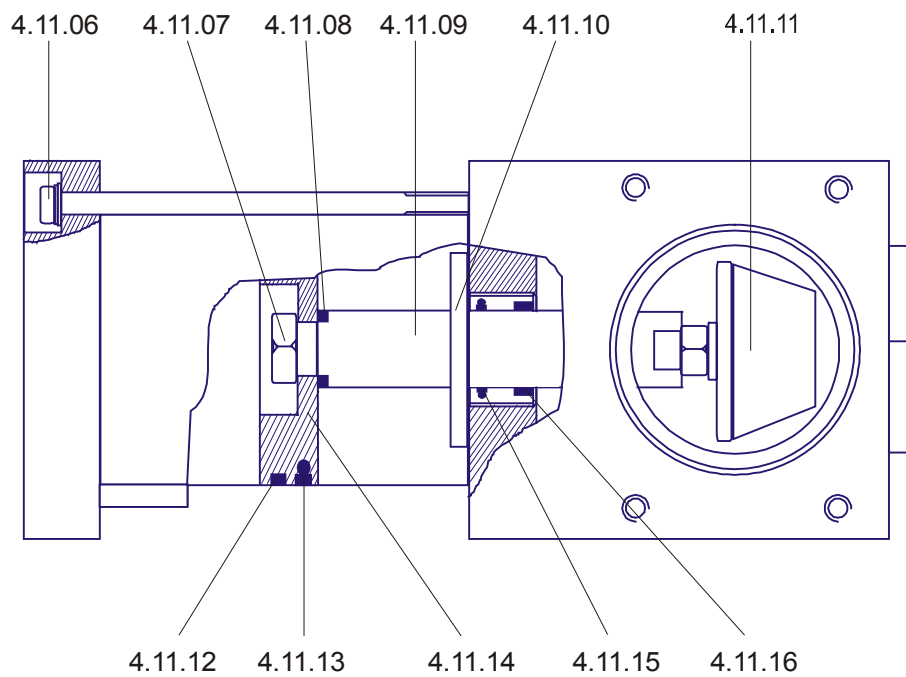
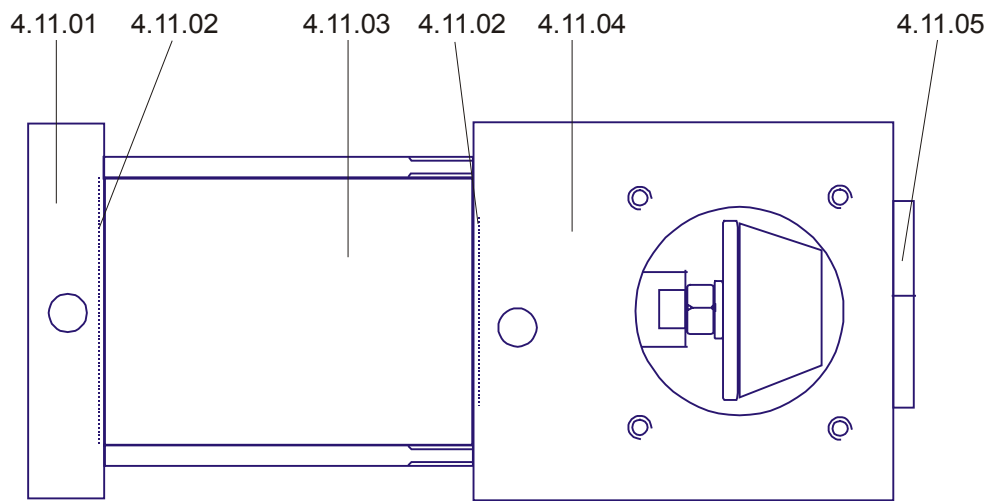
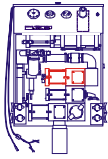
**4.10.00 Control, Switching unit D8099 – LOC 01**

<b>Item</b>	<b>Article</b>	<b>Denomination</b>	<b>Quantity</b>
<b>4.10.00</b>	<b>22 264</b>	<b>Control, Switching unit D8099-LOC 01</b>	<b>1</b>
4.10.01	22 066	Fitting 1-25 mm	1
4.10.02	20 295	Reducer 1-11/2, F/M-Thread	1
4.10.03	21 883	Non-return valve 11/2, F-Thread, Form straight	1
4.10.04	20 169	Elbow 11/2, F/M-Thread	1
4.10.05	22 022	Block DL99-1-M150	1



If you need more detailed information, please ask your dealer!

**4.11.00 Switching unit D8099**



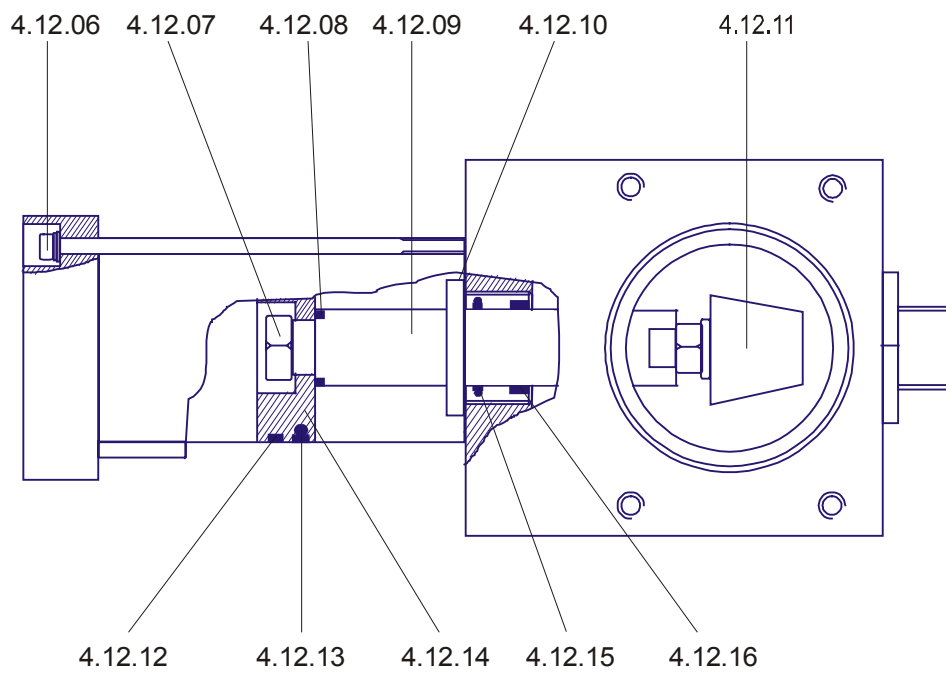
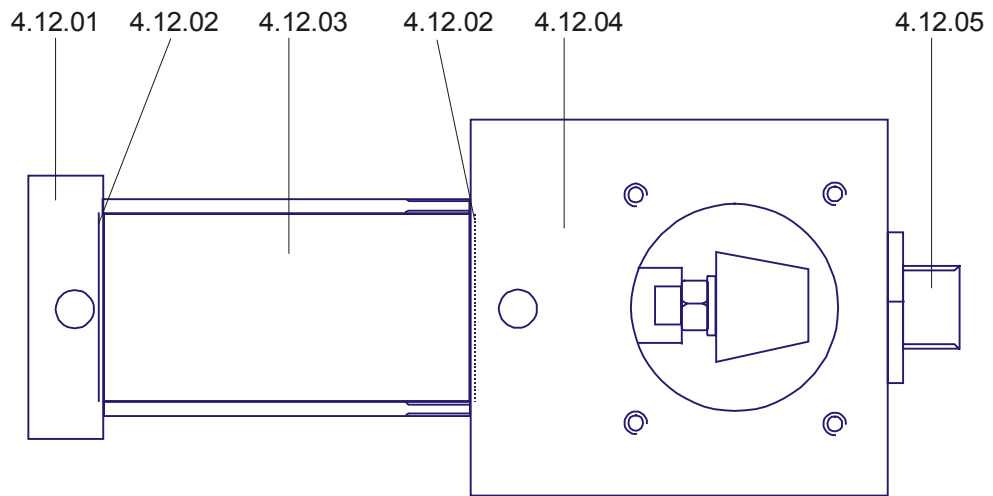
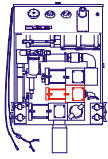
**4.11.00 Switching unit D8099**

<b>Item</b>	<b>Article</b>	<b>Denomination</b>	<b>Quantity</b>
<b>4.11.00</b>	<b>21 761</b>	<b>Switching unit D8099</b>	
4.11.01	21 755	Plate Switching unit 8099	1
4.11.02	20 185	Gasket TEK 08095	2
4.11.03	21 756	Cylinder 8099	1
4.11.04	21 757	Block 8099	1
4.11.05	21 758	Counterpart 8099	1
4.11.06	21 891	Fastening element 06-014	4
	21 733	Cylinder-screw DIN 912-M6x120-A2	1
	20 945	Washer DIN 125-6,4-A2	1
	21 397	Washer DIN 137-6,4-A2	1
4.11.07	21 384	Fastening element 08-001	1
	20 109	Hex. Head Screw DIN 933-M8x16-A2	1
	20 118	Washer DIN 125-8,4-A2	1
4.11.08	21 728	O-Ring 12x1,5	1
4.11.09	21 749	Piston-rod 50/8099	1
4.11.10	21 750	Guiding socket 50/8099	1
4.11.11	21 759	Locking stopper 8099	1
	21 890	Fastening element 08-009	1
	20 117	Hex. nut DIN 934-M8-A2	1
	20 119	Washer DIN 137-8,4-A2	1
4.11.12	21 218	Guiding band 08x1,5-1.000 mm	0,250
4.11.13	20 411	Gasket 80x67,5x5,6	1
4.11.14	21 760	Piston 8099	1
4.11.15	21 729	Gasket set 20x22x4,3	1
4.11.16	21 730	Wiper 20x8	1



If you need more detailed information, please ask your dealer!

**4.12.00 Switching unit S5099**





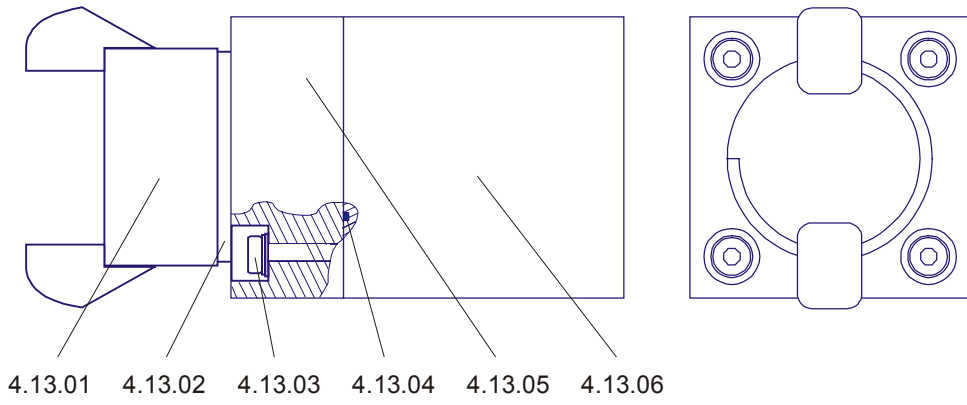
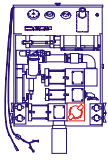
**4.12.00 Switching unit S5099**

<b>Item</b>	<b>Article</b>	<b>Denomination</b>	<b>Quantity</b>
<b>4.12.00</b>	<b>21 754</b>	<b>Switching unit S5099</b>	
4.12.01	21 744	Plate, Switching unit 5099	1
4.12.02	20 186	Gasket TEK 05095	2
4.12.03	21 745	Cylinder 5099	1
4.12.04	21 747	Block S5099	1
4.12.05	21 748	Counterpart 5099	1
4.12.06	21 891	Fastening element 06-014	4
	21 733	Cylinder-screw DIN 912-M6x120-A2	1
	20 945	Washer DIN 125-6,4-A2	1
	21 397	Washer DIN 137-6,4-A2	1
4.12.07	21 384	Fastening element 08-009	1
	20 109	Hex. Head Screw DIN 933-M8x16-A2	1
	20 118	Washer DIN 125-8,4-A2	1
4.12.08	21 728	O-Ring 12x1,5	1
4.12.09	21 749	Piston-rod 50/8099	1
4.12.10	21 750	Guiding socket 50/8099	1
4.12.11	21 751	Locking stopper 5099	1
	21 890	Fastening element 08-010	1
	20 117	Hex. nut DIN 934-M8-A2	1
	20 119	Washer DIN 137-8,4-A2	1
4.12.12	21 218	Guiding band 08x1,5-1.000 mm	0,155
4.12.13	20 391	Gasket 50x37,5x5,6	1
4.12.14	21 752	Piston 5099	1
4.12.15	21 729	Gasket set 20x22x4,3	1
4.12.16	21 730	Wiper 20x8	1



If you need more detailed information, please ask your dealer!

**4.13.00 Connetion, Blasting hose**



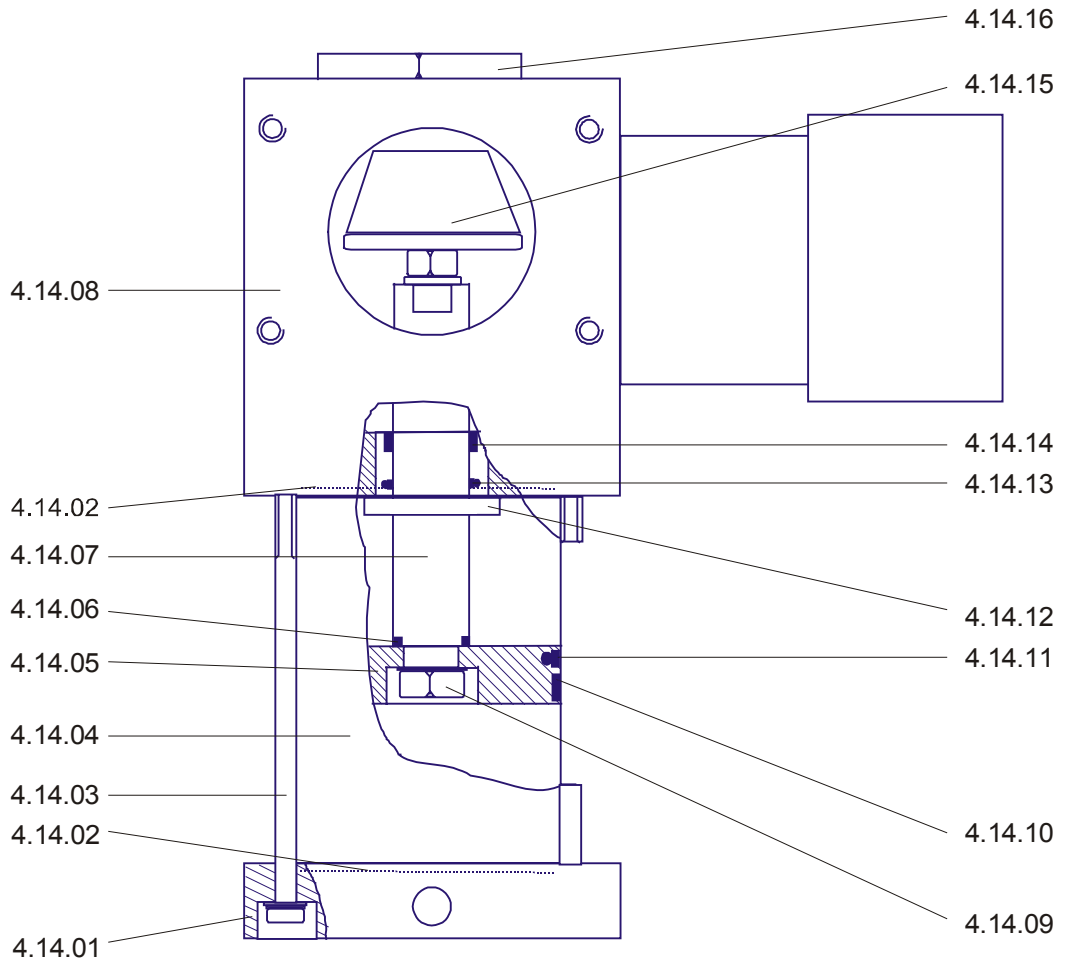
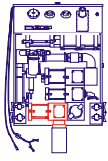
**4.13.00 Connetion, Blasting hose**

<b>Item</b>	<b>Article</b>	<b>Denomination</b>	<b>Quantity</b>
<b>4.13.00</b>		<b>Connetion, Blasting hose LOC 01-1 (for machine <u>without</u> Quick stop – Kit 411)</b>	
<b>4.13.00</b>		<b>Connetion, Blasting hose LOC 01-1 (for machine <u>with</u> Quick stop – Kit 411)</b>	
4.13.01	21 634	Coupling, blasting hose 1 1/2, F-Thread	1
4.13.02	22 210	Nippel 1 1/2, M-Thread, Stainless steel	1
4.13.03	21 912	Fasterning element 06-018	4
	21 911	Cylinder-screw DIN 912-M6x40-A2	1
	21 397	Washer DIN 137-6,4-A2	1
4.13.04	21 725	O-Ring 65x3	1
4.13.05	21 910	Plate QS8099 (For Coupling, blasting hose)	1
4.13.06	22 265	Block QS99-LOC01-1 (for machine <u>without</u> Quick stop – Kit 411)	1
	22 266	Block QS99-LOC01-2 (for machine <u>with</u> Quick stop – Kit 411)	1



If you need more detailed information, please ask your dealer!

4.14.00 Switching unit QS8099



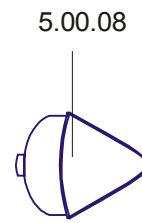
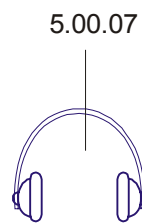
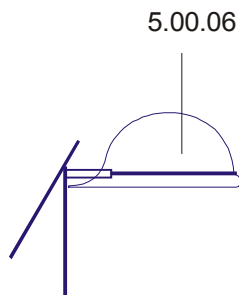
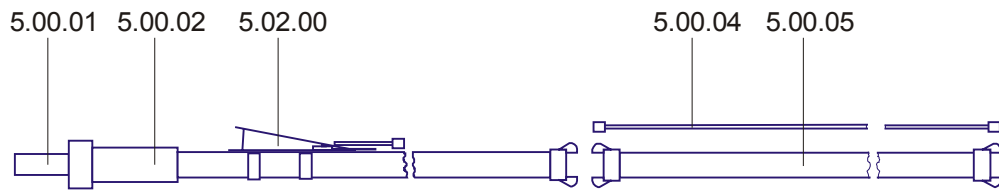
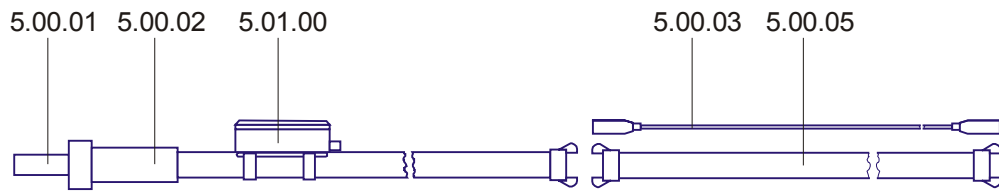
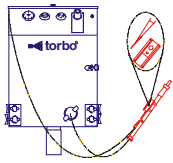
**4.14.00 Switching unit QS8099**

Item	Article	Denomination	Quantity
<b>4.14.00</b>	<b>21 765</b>	<b>Switching unit QS8099 (Kit 411)</b>	
4.14.01	21 755	Plate, Switching unit 8099	1
4.14.02	20 185	Gasket TEK 08095	2
4.14.03	21 891	Fastening element 06-014	4
	21 733	Cylinder-screw DIN 912-M6x120-A2	1
	20 945	Washer DIN 125-6,4-A2	1
	21 397	Washer DIN 137-6,4-A2	1
4.14.04	21 756	Cylinder 8099	1
4.14.05	21 760	Piston 8099	1
4.14.06	21 728	O-Ring 12x1,5	1
4.14.07	21 749	Piston-rod 50/8099	1
4.14.08	21 762	Block III QS8099	1
4.14.09	21 834	Fastening element 08-001	1
	20 109	Hex. Head Screw DIN 933-M8x16-A2	1
	20 118	Washer DIN 125-8,4-A2	1
4.14.10	21 218	Guiding band 08x1,5-1.000 mm	0,250
4.14.11	20 411	Gasket 80x67,5x5,6	1
4.14.12	21 750	Guiding socket 50/8099	1
4.14.13	21 729	Gasket set 20x22x4,3	1
4.14.14	21 730	Wiper 20x8	1
4.14.15	21 759	Locking stopper 8099	1
	21 890	Fastening element 08-009	1
	20 117	Hex. nut DIN 934-M8-A2	1
	20 119	Washer DIN 137-8,4-A2	1
4.14.16	21 758	Counterpart 8099	1



If you need more detailed information, please ask your dealer!

### 5.00.00 Standard Equipment



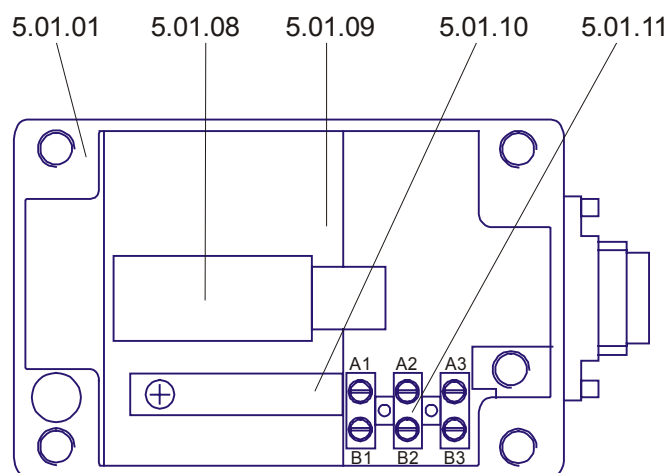
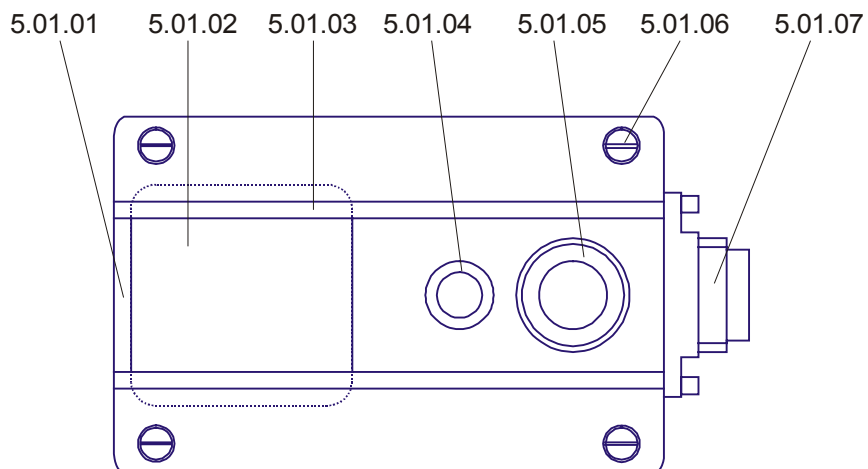
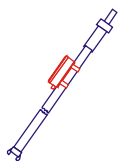
**5.00.00 Standard Equipment**

Item	Article	Denomination	Quantity
5.00.01		Blasting nozzle	1
	21 983	torbo-Blasting nozzle Soft 08 (8 mm)	
	21 984	torbo-Blasting nozzle Soft 10 (10 mm)	
	21 985	torbo-Blasting nozzle Cylinder 08 (8 mm)	
	21 570	torbo-Blasting nozzle Venturi Nr. 5 (8 mm)	
	21 571	torbo-Blasting nozzle Venturi Nr. 6 (9,5 mm)	
	21 572	torbo-Blasting nozzle Venturi Nr. 8 (12,5 mm)	
	21 113	torbo-Blasting nozzle Laval with Attachment nozzle 6 mm	
	21 114	torbo-Blasting nozzle Laval with Attachment nozzle 8 mm	
	21 115	torbo-Blasting nozzle Laval with Attachment nozzle 10 mm	
	21 116	torbo-Blasting nozzle Laval with Attachment nozzle 12 mm	
	21 117	torbo-Blasting nozzle Laval with Attachment nozzle 14 mm	
	20 528	torbo-Blasting nozzle Laval 16 mm	
5.00.02		Handheld lance with Nozzle-holder and Coupling	1
	21 184	Handheld lance 13-2,5 (1/2" – 2,5 m long)	
	21 185	Handheld lance 19-2,5 (3/4" – 2,5 m long)	
	21 186	Handheld lance 25-2,5 (1" – 2,5 m long)	
	21 187	Handheld lance 32-2,5 (1 1/4" – 2,5 m long)	
		Nozzle-holder	
		Nozzle-holder for Hose 13/7 and Nozzle Soft 08 / 10	
		Nozzle-holder for Hose 19/7 and Nozzle Soft 08 / 10	
		Nozzle-holder for Hose 19/7 and Nozzle Cylinder / Venturi	
		Nozzle-holder for Hose 25/7 and Nozzle Cylinder / Venturi	
		Nozzle-holder for Hose 32/8 and Nozzle Cylinder / Venturi	
	21 592	Nozzle-holder for Hose 19/7 and Nozzle Laval	
	21 589	Nozzle-holder for Hose 25/7 and Nozzle Laval	
	21 590	Nozzle-holder for Hose 32/8 and Nozzle Laval	
		Coupling, blasting hose	
	21 127	Coupling, blasting hose for Hose 13/7	
	20 681	Coupling, blasting hose for Hose 19/7	
	20 435	Coupling, blasting hose for Hose 25/7	
	20 583	Coupling, blasting hose for Hose 32/8	
	20 607	Gasket, Coupling (NW 42 mm), 11 mm long	
	21 594	Gasket, Coupling (NW 42 mm), 20 mm long	
5.00.03	21 956	25 m Extension-cables for Remote control FB S99	
	21 803	Coupling, Cable S99	
	21 805	Stecker, Cable S99	
	20 563	25 m Cable FBS	
5.00.04		20 m Extension-tube for Remote control SL00	
		Coupling, Hose SL00	
		20 m Tube (blue/red) SL00	
5.00.05	20 918	20 m Blasting hose 13/7 mit Couplings	
	20 479	20 m Blasting hose 19/7 mit Couplings	
	20 478	20 m Blasting hose 25/7 mit Couplings	
	20 477	20 m Blasting hose 32/8 mit Couplings	
5.00.06	20 278	Helmet with double Face-protection, compl.	
	20 189	Helmet	
	20 179	Windshield with Wire-tissues	
	20 247	Windshield without Wire-tissues	
	20 178	Bracket, Face-protection	
5.00.07	20 188	Hearing-protection	
5.00.08	20 347	Fine-dust-mask	
5.01.00		Remote control FB S99 (electrical)	look page 38
5.02.00		Remote control SL00 (pneumatical)	look page 40

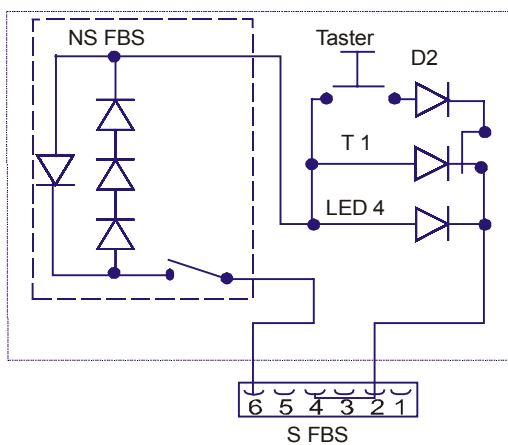


If you need more detailed information, please ask your dealer!

4.01.00 Remote control FB S99



Schaltplan



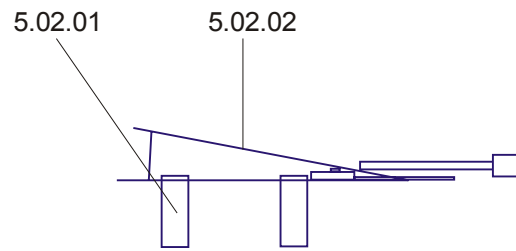
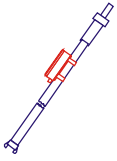


**5.01.00 Remote control FB S99**

<b>Item</b>	<b>Article</b>	<b>Denomination</b>	<b>Quantity</b>
5.01.00	21 807	Remote control FB S99, compl.	1
	20 447	Belt	2
5.01.01	21 923	Casing, FB S99	1
5.01.02	90 352	Plate, Remote control FB 95	1
5.01.03	21 352	Holder FB S (above)	2
	21 606	Fortification-rail FB S (below)	2
5.01.04	21 334	LED 95 (green) with Casing, compl.	1
5.01.05	21 123	Switch for FB with Protective hood, compl.	1
	21 355	Switch for FB95	1
	21 299	Protective hood, Switch FB95	1
5.01.06	21 924	Cylinder-screw DIN 84-M4x25-A2	2
5.01.07	21 873	Plug FB 99 (einbau)	1
	20 383	Cylinder-screw DIN 912-M3x10-A2	2
5.01.08	21 359	Micro switch FB 95 (with Cable)	1
5.01.09	21 356	Bracket, Micro switch FB 95	1
5.01.10	21 357	Thyristor, compl. (with Cable)	1
	21 927	Spax's Screw DIN 7997-2,5x12	1
5.01.11	21 327	Terminal block 3er	1



If you need more detailed information, please ask your dealer!

**4.02.00 Remote control SL00**

Item	Article	Denomination	Quantity
5.02.01	20 447	Belt	2
5.02.02	22 092	Remote control SL00	1



If you need more detailed information, please ask your dealer!

